



المملكة الأردنية الهاشمية  
وزارة الإدارة المحلية



اعداد الدراسات والتصاميم لمشروع تصميم  
محطة صيانة وغسيل سيارات و شاحنات مجلس بلدية الهاشمية  
الهاشمية - اراضى محافظة الزرقاء  
الحوض - ٠٠٧ الوادى الغربى  
رقم القطعة ٠٣٠٠١

٢٠٢٣

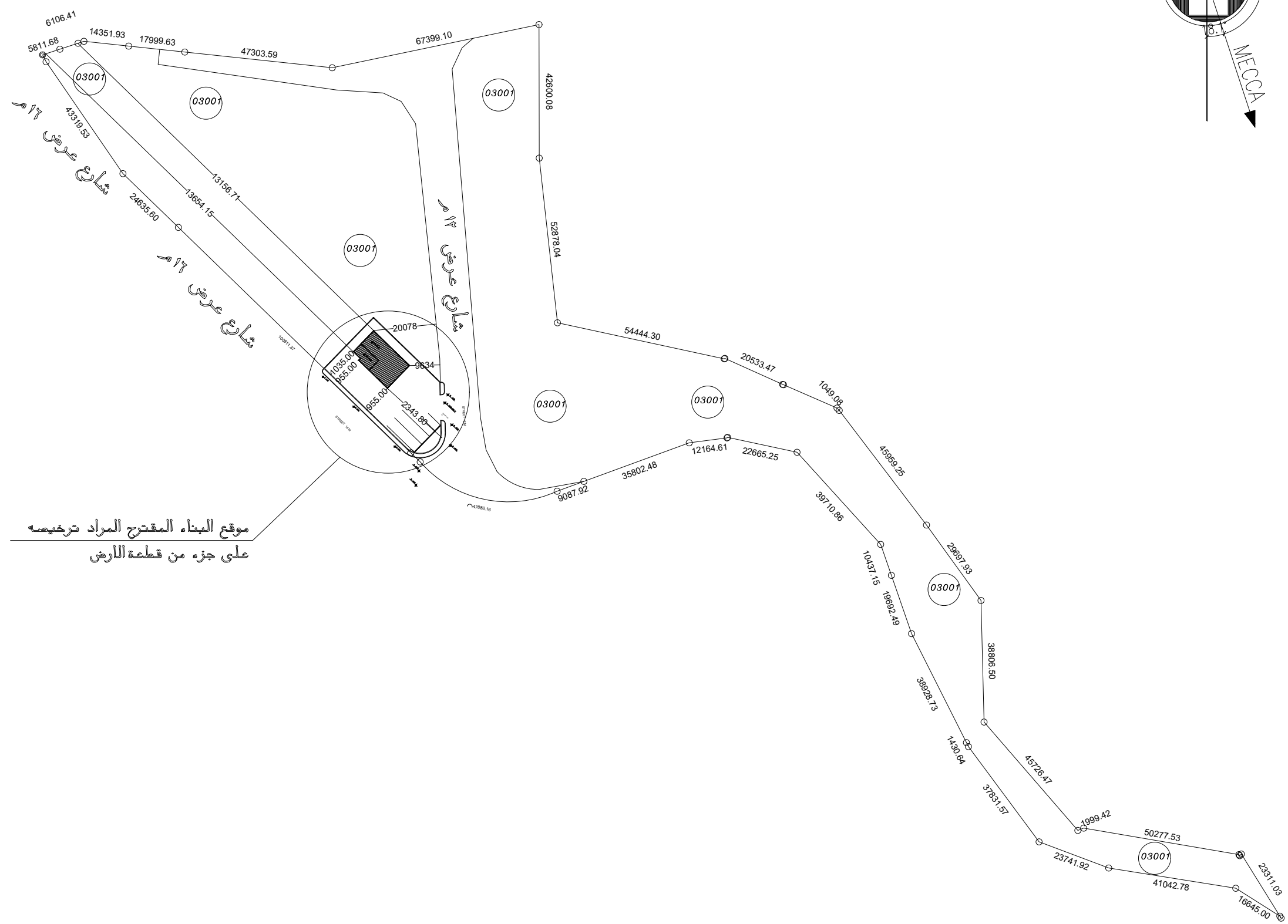
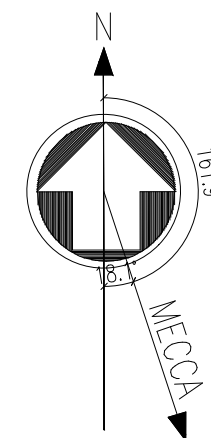


المهندس الكهربائى حربى ابو كويك

المهندس المعماري ميسون القاسم

المهندس الميكانيك وليد قطنانى

المهندس المدني د حازم الربضى



موقع البناء المقترح المراد ترخيصه  
على جزء من قطعة الارض

NOTES:

no.	X	Y
1	256580.823	1172750.821
2	256580.824	1172750.818
3	256581.939	1172748.641
4	256586.344	1172752.636
5	256592.145	1172754.543
6	256594.02	1172755.16
7	256606.462	1172712.931
8	256608.291	1172753.638
9	256624.144	1172695.777
10	256626.189	1172751.728
11	256653.271	1172713.226
12	256673.226	1172746.713
13	256698.311	1172623.826
14	256701.289	1172620.937
15	256739.202	1172760.49
16	256739.284	1172717.89
17	256744.987	1172611.587
18	256745.102	1172665.333
19	256753.52	1172614.714
20	256787.136	1172627.034
21	256798.314	1172653.815
22	256798.486	1172653.966
23	256799.199	1172628.603
24	256799.379	1172628.772
25	256816.943	1172645.662
26	256817.22	1172645.56
27	256821.539	1172624.013
28	256834.27	1172638.122
29	256834.99	1172637.359
30	256848.218	1172594.599
31	256851.632	1172584.736
32	256858.074	1172566.127
33	256862.836	1172600.796
34	256875.571	1172531.352
35	256876.214	1172530.074
36	256880.219	1172576.717
37	256881.204	1172537.923
38	256898.747	1172499.685
39	256911.117	1172503.338
40	256912.978	1172504.069
41	256920.974	1172491.34
42	256953.411	1172486.174
43	256961.506	1172484.885
44	256962.539	1172495.611
45	256962.762	1172495.275
46	256963.287	1172495.786
47	256975.561	1172475.968
48	256975.978	1172475.34
49	Calculation	Area
	Total Area	

REV. No	DATE	DESCRIPTION	CHECKED

CLIENT:  
AL-HASHEMIAH MUNICIPALITY

PROJECT NAME:  
CARS & TRUCKS  
WASH & MAINTENANCE STATION

CONSULTANT:  
AMTAR ENGINEERING CO.



DRAWING TITLE :  
SITE PLAN

DESIGNED BY	ARCH.ABDULLH ODAT	DATE	2023
PRODUCED BY	ARCH.ABDULLH ODAT	SCALE	1:1000
CHECKED BY	ARCH.MAYSOON QASEM	REV.	
DRAWING NO.	A-01	PROJECT NO.	

مخطط الارض كامله

1:1000

البناء مقترح مكون من ارضي  
مراد ترخيصه

منسوب منتصف الشارع  $\pm 0.00$

بالنسبة للطبوغرافية 555.17

منسوب ارضية الطابق الارضي F.F.L + 0.55

منسوب عقدة الارضي F.F.L + 3.75  
S.S.L + 3.65

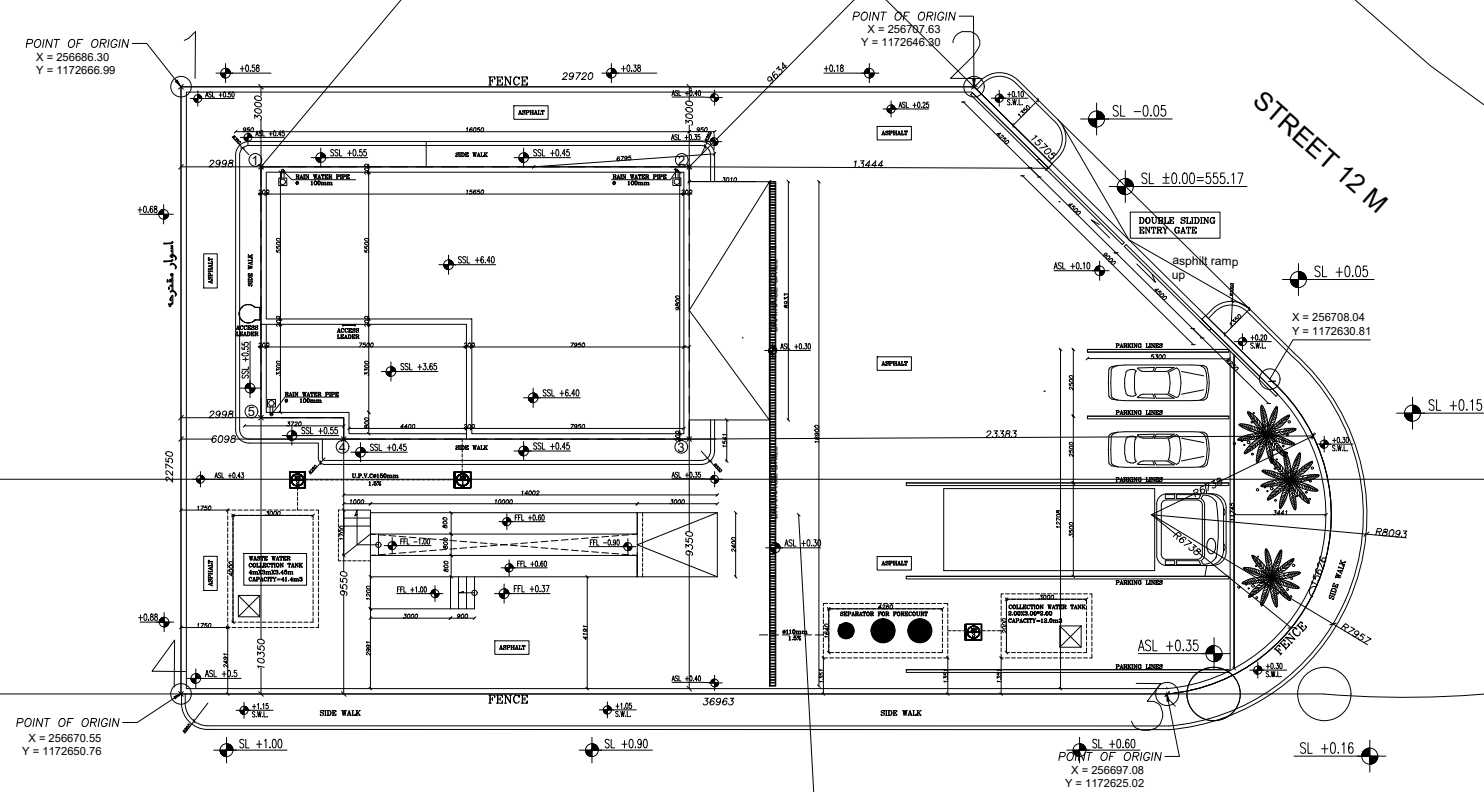
منسوب عقدة الارضي F.F.L + 6.50  
S.S.L + 6.40



NOTES:

COORDINATE

POINT	X	Y
1	256686.37	1172662.76
2	256697.89	1172651.59
3	256690.83	1172644.31
4	256681.54	1172653.33
5	256679.87	1172656.06



100811.37

47886.16

REV. No	DATE	DESCRIPTION	CHECKED

CLIENT:  
AL-HASHEMIAH MUNICIPALITY

PROJECT NAME:  
CARS & TRUCKS  
WASH & MAINTENANCE STATION

CONSULTANT:  
AMTAR ENGINEERING CO.

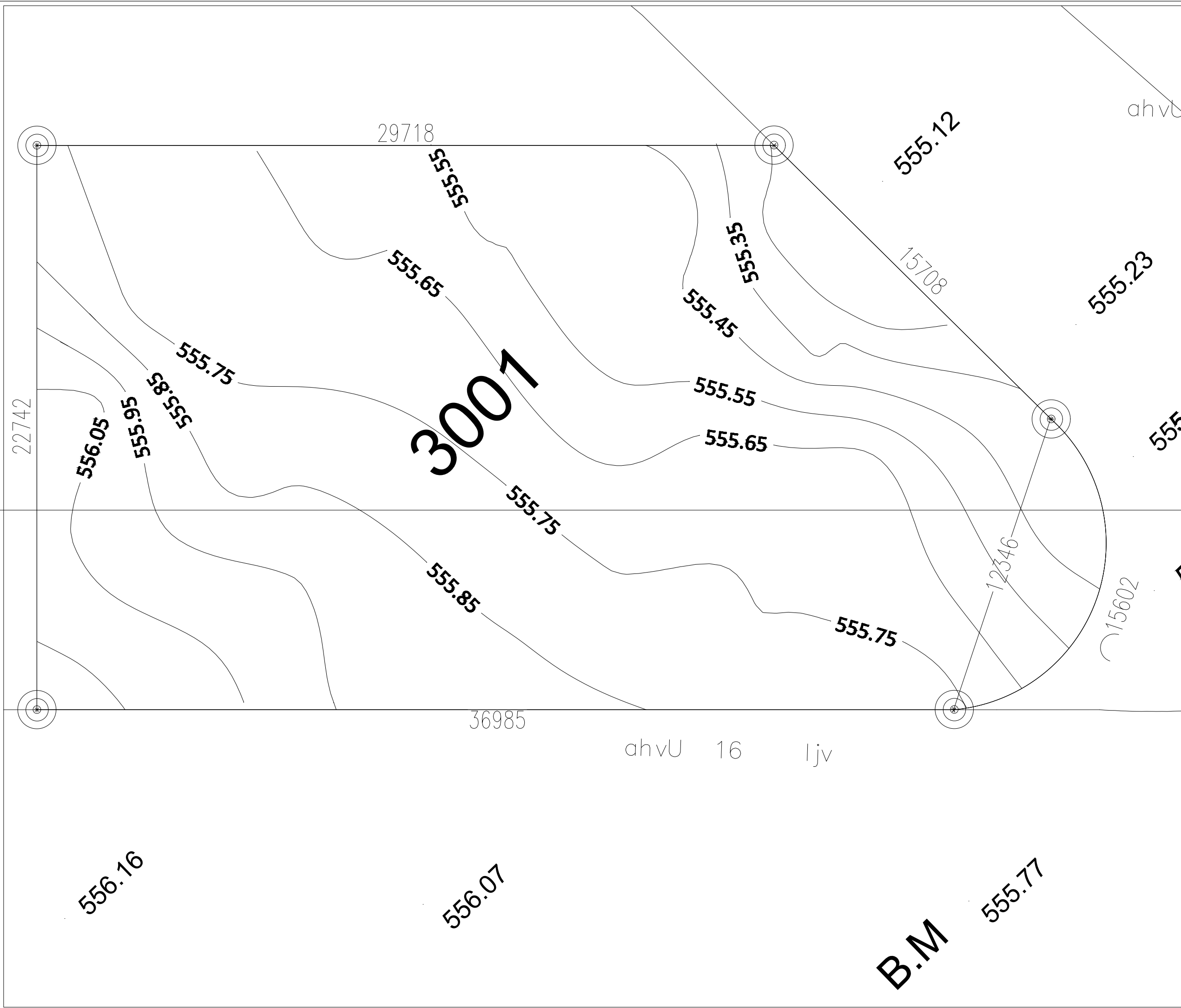


DRAWING TITLE :  
**SITE PLAN**

DESIGNED BY	ARCH.ABDULLH ODAT	DATE	2023
PRODUCED BY	ARCH.ABDULLH ODAT	SCALE	1:200
CHECKED BY	ARCH.MAYSOON QASEM	REV.	
DRAWING NO.	A-02	PROJECT NO.	



NOTES:



REV. No	DATE	DESCRIPTION	CHECKED

CLIENT:  
AL-HASHEMIAH MUNICIPALITY

PROJECT NAME:  
CARS & TRUCKS  
WASH & MAINTENANCE STATION

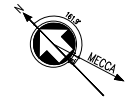
CONSULTANT:  
AMTAR ENGINEERING CO.



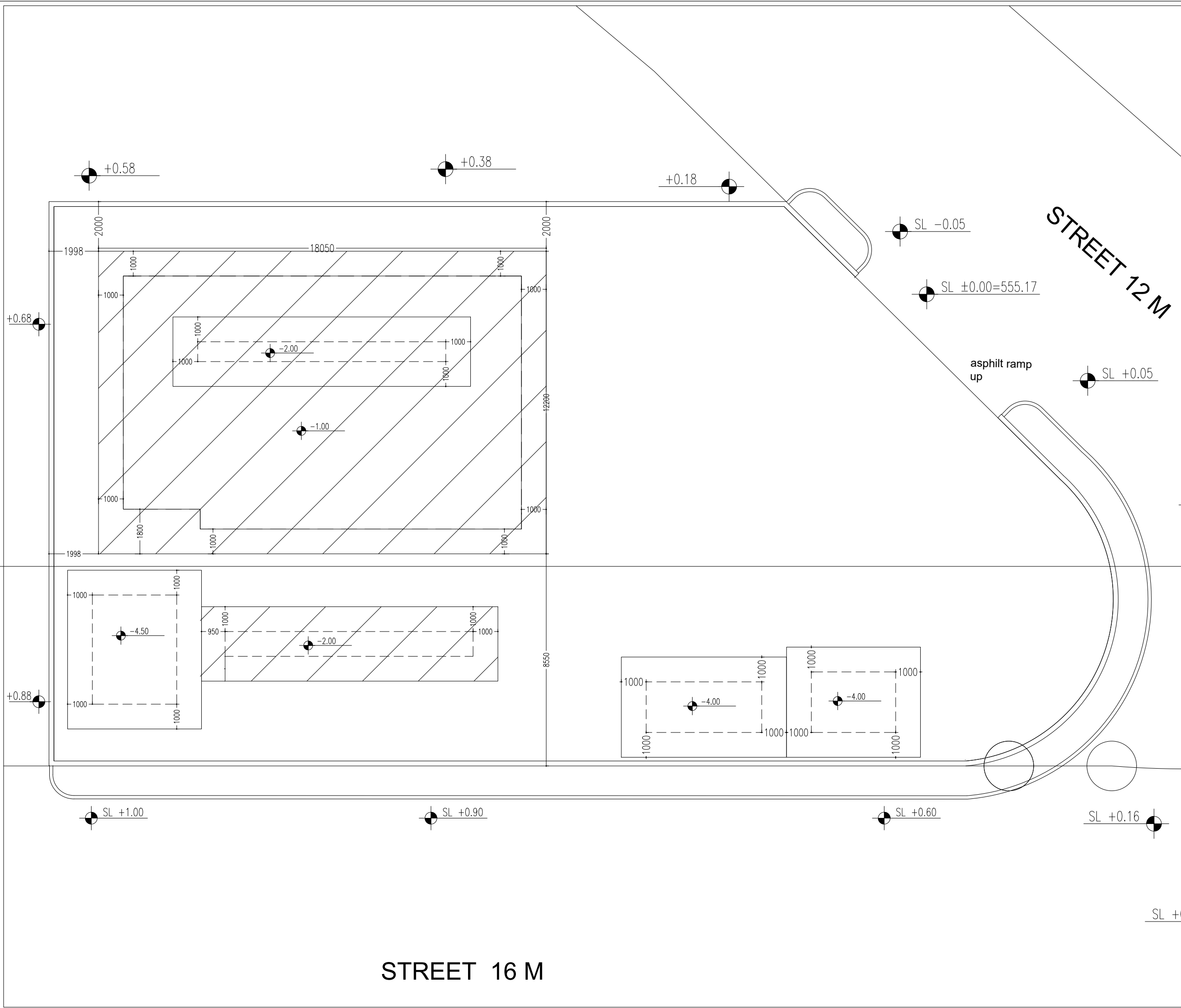
DRAWING TITLE :  
SITE PLAN

DESIGNED BY	ARCH.ABDULLH ODAT	DATE	2023
PRODUCED BY	ARCH.ABDULLH ODAT	SCALE	1:1000
CHECKED BY	ARCH.MAYSOON QASEM	REV.	
DRAWING NO.	A-03	PROJECT NO.	

**B.M** 555.77



NOTES:



REV. No	DATE	DESCRIPTION	CHECKED

CLIENT:  
AL-HASHEMIAH MUNICIPALITY

PROJECT NAME:  
CARS & TRUCKS  
WASH & MAINTENANCE STATION

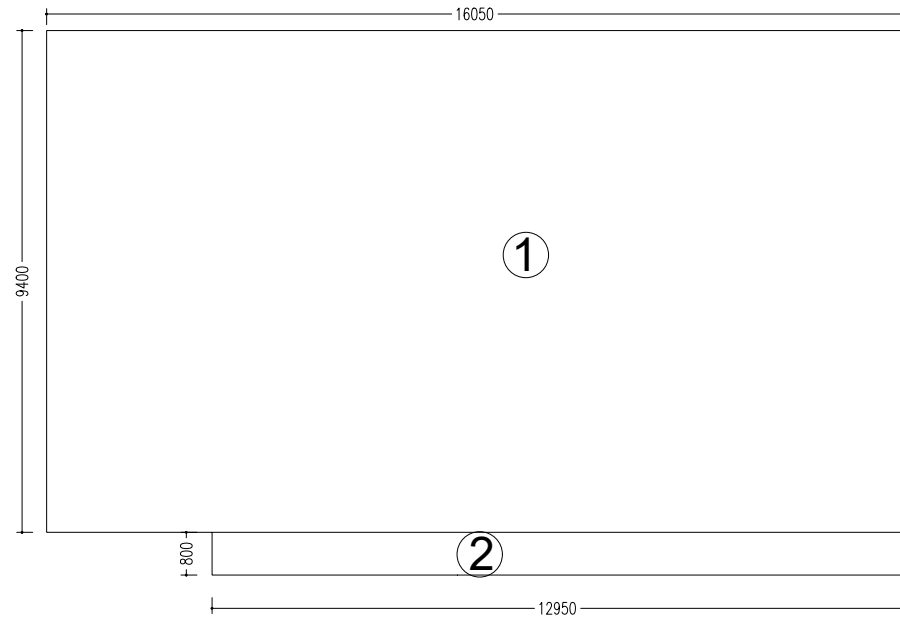
CONSULTANT:  
AMTAR ENGINEERING CO.



DRAWING TITLE :  
EXCAVATION PLAN

DESIGNED BY	ARCH.ABDULLH ODAT	DATE	2023
PRODUCED BY	ARCH.ABDULLH ODAT	SCALE	1:1000
CHECKED BY	ARCH.MAYSOON QASEM	REV.	
DRAWING NO.	A-04	PROJECT NO.	

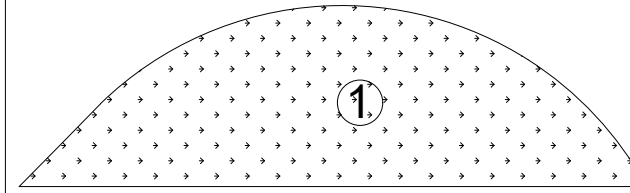
## مخطط مساحة الطابق الارضى



## جدول مساحة الطابق الارضى

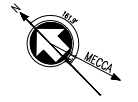
المساحة (م <sup>2</sup> )	الابعاد (م x م)	الرمز
+150,870	16050x9400	+1
+10,360	800x12950	+2
المجموع		
161.23 م <sup>2</sup>		

## مخطط الساحات الخضراء



## جدول الساحات الخضراء

المساحة (م <sup>2</sup> )	الابعاد (م x م)	الرمز
28.00	AUTO	+1
المجموع		
28.00 م <sup>2</sup>		



NOTES:

7 29364

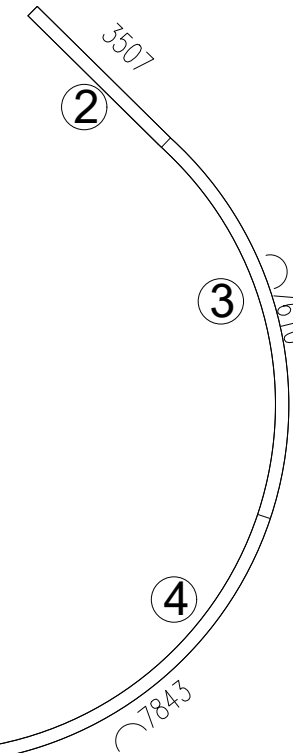
## ملخص المساحات واطوال الاسوار

المقترح		القائم		المساحة	الطابق
مراد ترخيصه	مرخص	مراد ترخيصه	مرخص		
m2 161,23	---	---	---	m2 161,23	الارضى
111,88 م	---	---	---	111,88 م	الاسوار
161,23 م <sup>2</sup>				اجمالي المساحات المراد ترخيصها	

1 4118

## جدول اطوال الاسوار

الرمز	الطول (م.ط)
+1	4118
+2	3507
+3	7610
+4	7843
+5	36939
+6	22500
+7	29364
المجموع	111,880 م.ط



REV. No	DATE	DESCRIPTION	CHECKED
3			
2			
1			

CLIENT:

AL-HASHEMIAH MUNICIPALITY

PROJECT NAME:

CARS & TRUCKS  
WASH & MAINTENANCE STATION

CONSULTANT:

AMTAR ENGINEERING CO.



DRAWING TITLE :

مخطط جدول المساحات  
وطول الاسوار

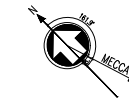
DESIGNED BY	ARCH.ABDULLH ODAT	DATE	2023
PRODUCED BY	ARCH.ABDULLH ODAT	SCALE	1.200
CHECKED BY	ARCH.MAYSOON QASEM	REV.	
DRAWING NO.	A-05	PROJECT NO.	

22500

6

36939

5



NOTES:

REV. No	DATE	DESCRIPTION	CHECKED
3			
2			
1			

CLIENT:  
AL-HASHEMIAH MUNICIPALITY

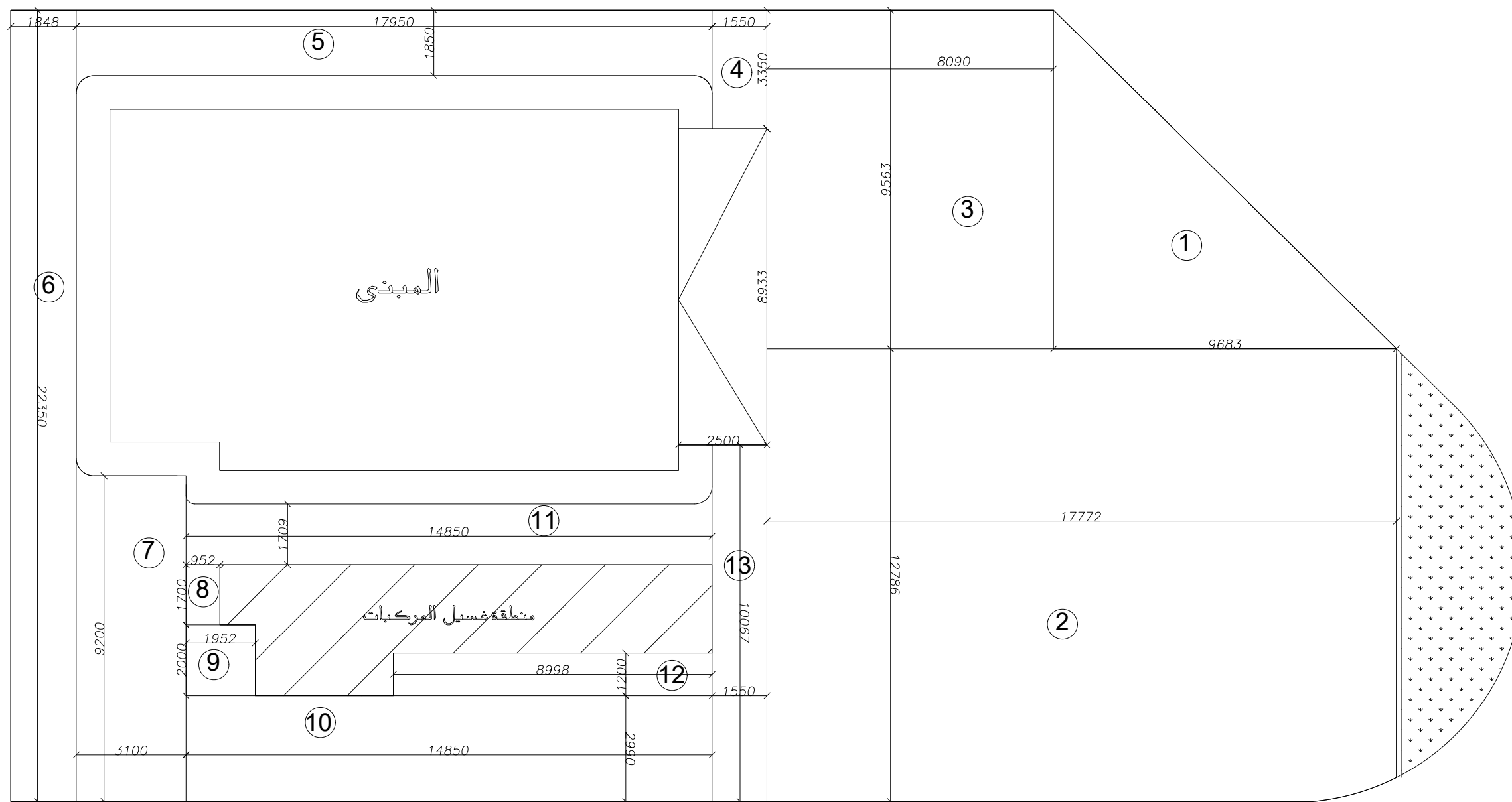
PROJECT NAME:  
CARS & TRUCKS  
WASH & MAINTENANCE STATION

CONSULTANT:  
AMTAR ENGINEERING CO.



DRAWING TITLE :  
مخطط المساحات و الجدول

DESIGNED BY	ARCH.ABDULLH ODAT	DATE	2023
PRODUCED BY	ARCH.ABDULLH ODAT	SCALE	1.200
CHECKED BY	ARCH.MAYSOON QASEM	REV.	
DRAWING NO.	A-06	PROJECT NO.	

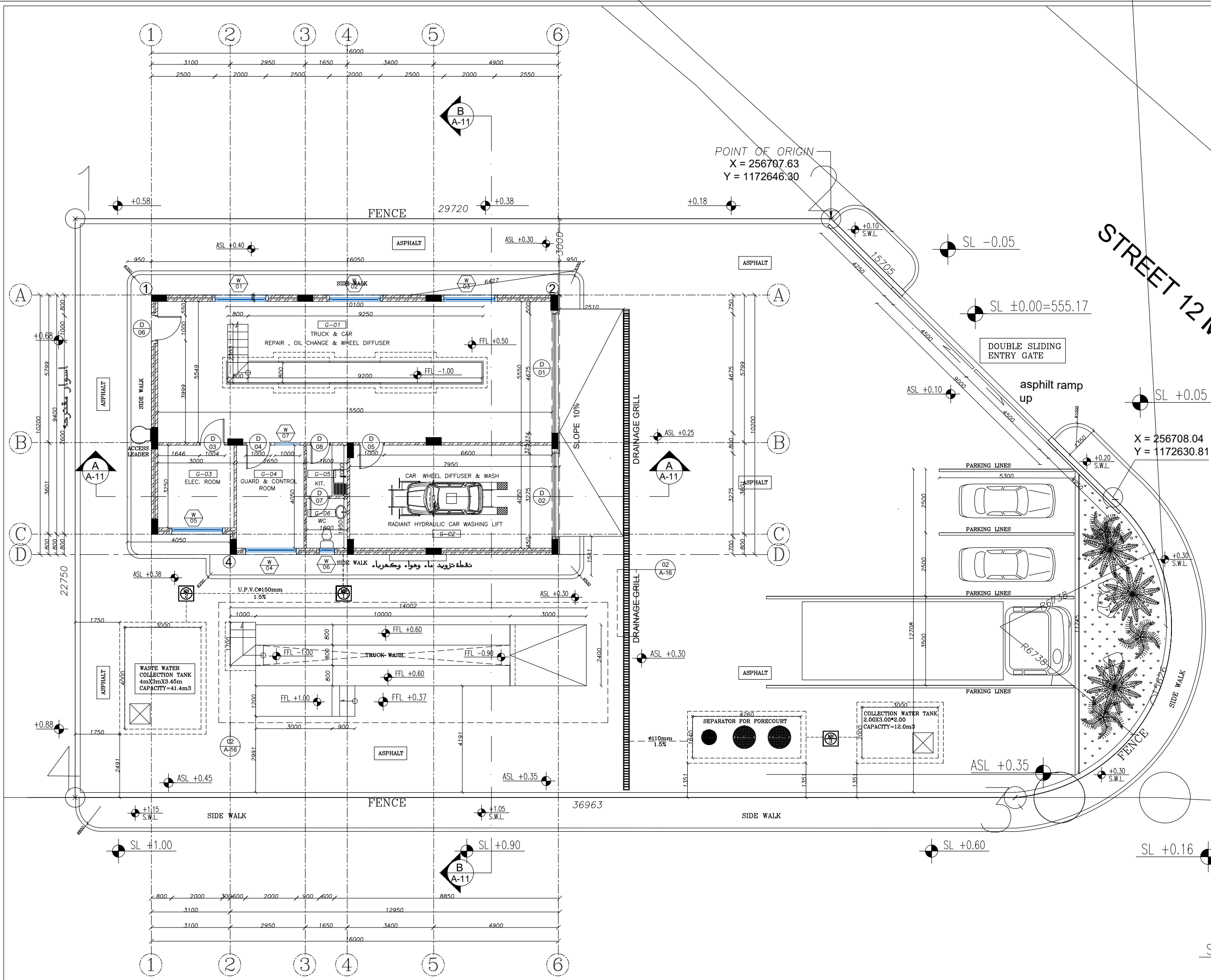


AREA NO.	DIMENSION m	AREA m2
1	1/2×9,70×9.6	46.60
2	17,80×12.80	228
3	9,60×8,0	76.8
4	3.55×1.55	5.5
5	1.85×1.80	32.40
6	1.80×22.35	40.20
7	9.2×3.1	28.50
8	0.95×1.70	1.60
9	2.0×1.95	3.9
10	2.99×14.85	44.40
11	1.7×14.85	25.20
12	1.2×8.99	10.80
13	1.55×10.0	15.5
TOTAL AREAS		560 m2

ملخص المساحات الخارجية	
582 m2	مساحة الساحات الخارجية المراد تعبيدها
44.80 m2	مساحة الرصيف حول المبنى
28.0 m2	مساحة المنطقة الخضراء
22.30 m2	مساحة الرامية
38.60 m2	مساحة منطقة غسل المركبات



NOTES:



REV. No	DATE	DESCRIPTION	CHECKED

CLIENT:  
AL-HASHEMIAH MUNICIPALITY

PROJECT NAME:  
CARS & TRUCKS  
WASH & MAINTENANCE STATION

CONSULTANT:  
AMTAR ENGINEERING CO.



DRAWING TITLE :  
GROUND FLOOR PLAN

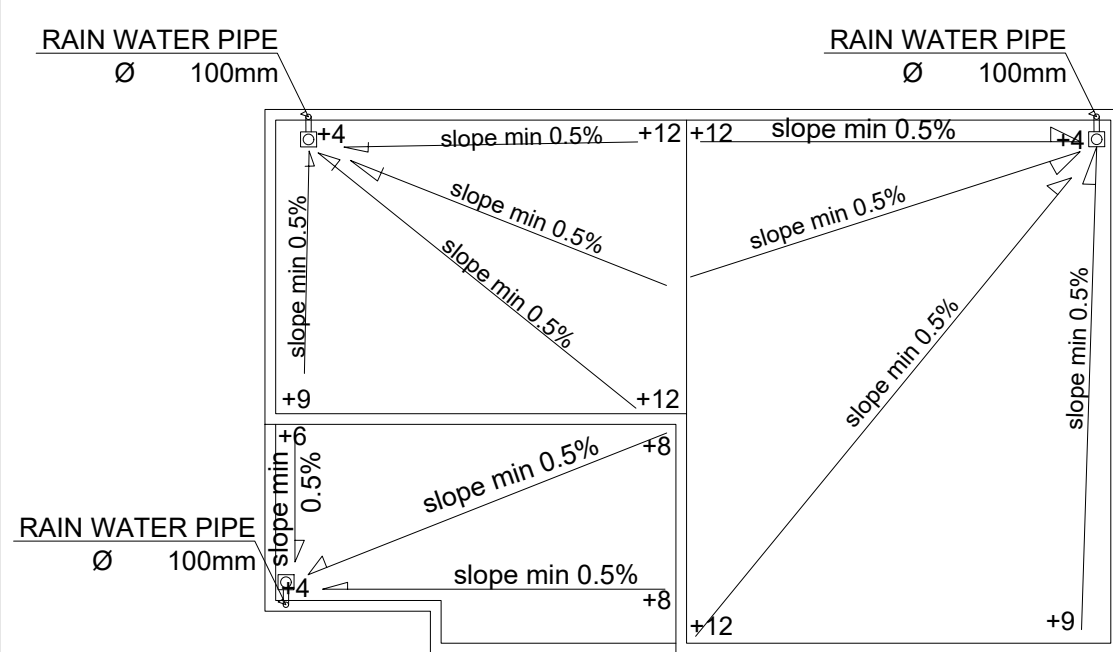
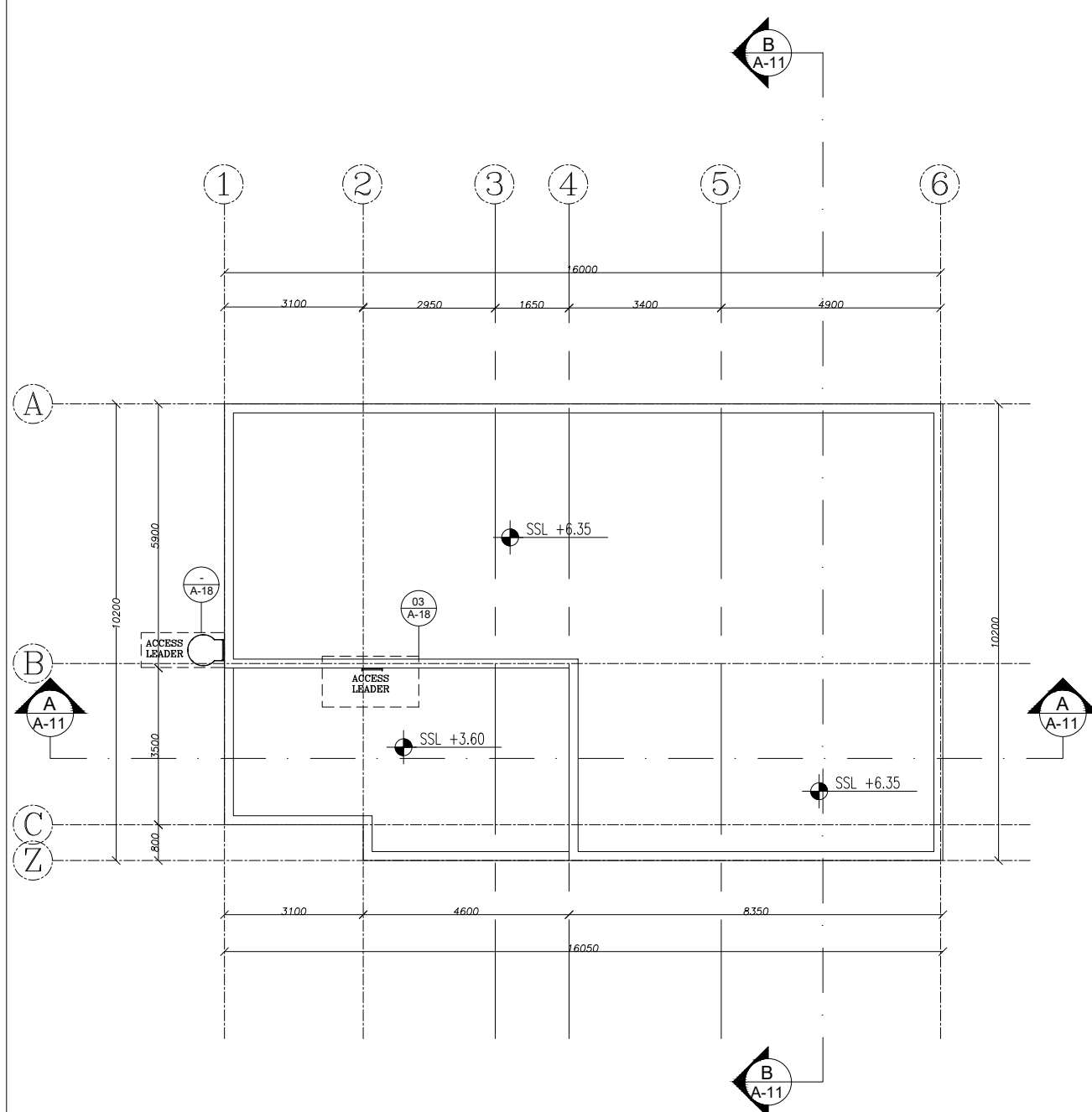
DESIGNED BY	ARCH.ABDULLH ODAT	DATE	2023
PRODUCED BY	ARCH.ABDULLH ODAT	SCALE	1:100
CHECKED BY	ARCH.MAYSOON QASEM	REV.	
DRAWING NO.	A-07	PROJECT NO.	

STREET 16 M





NOTES:



01 ROOF FLOOR PLAN  
SCALE 1:200

مخطط ميول المطر

REV. No	DATE	DESCRIPTION	CHECKED

CLIENT:  
AL-HASHEMIAH MUNICIPALITY

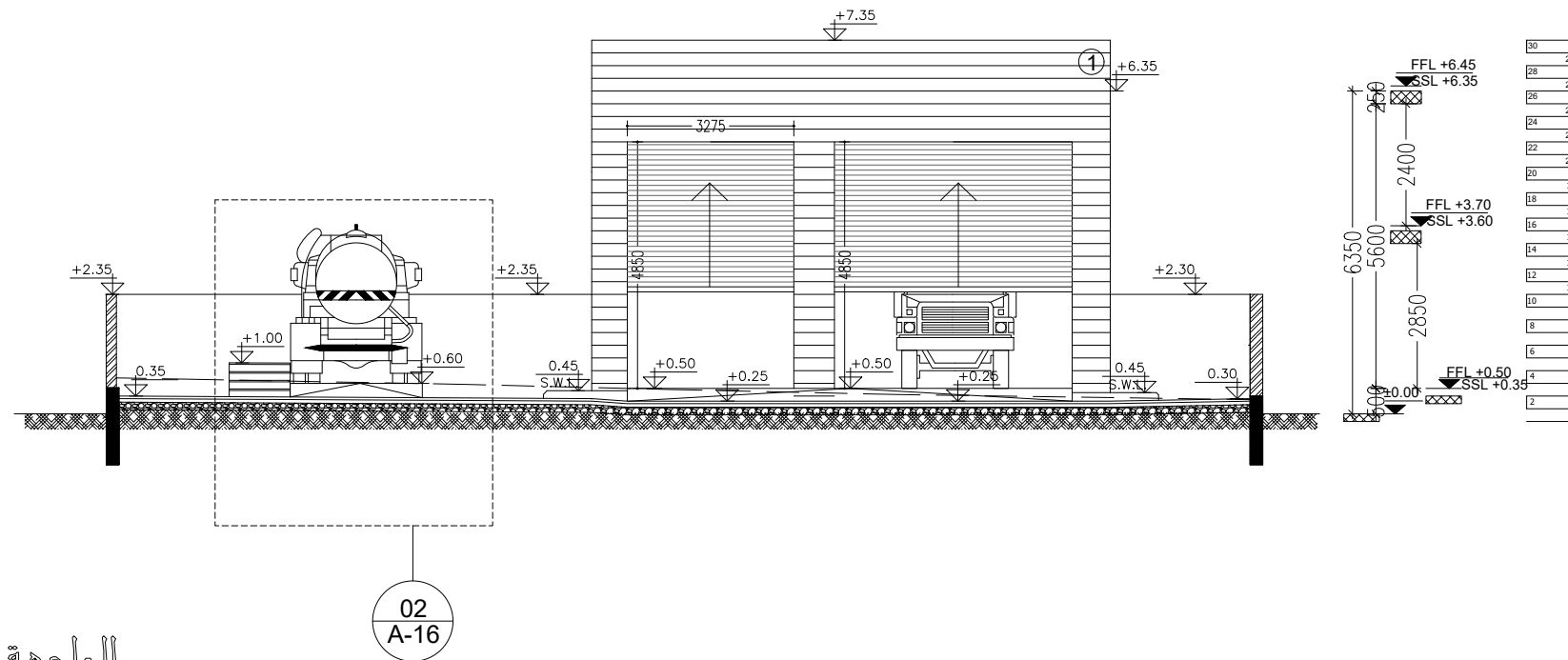
PROJECT NAME:  
CARS & TRUCKS  
WASH & MAINTENANCE STATION

CONSULTANT:  
AMTAR ENGINEERING CO.

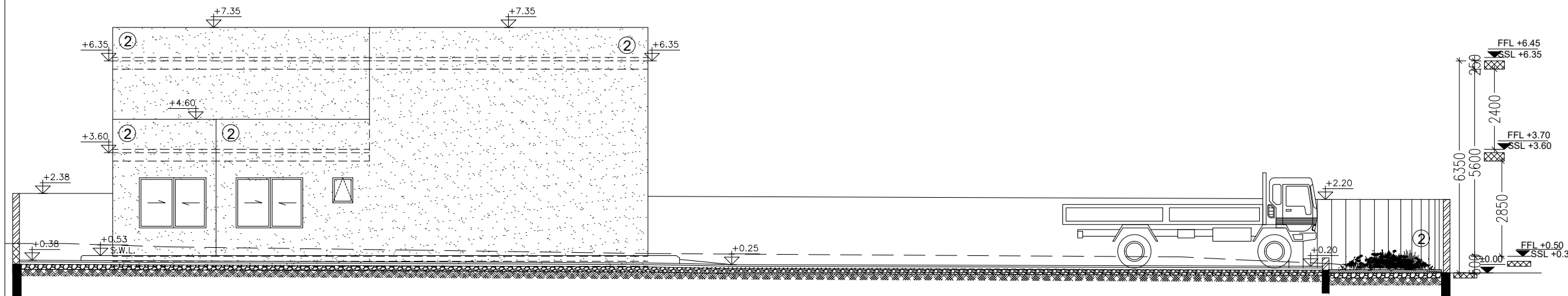


DRAWING TITLE :  
GROUND FLOOR PLAN  
OPTION 03  
AREA = 161.23 M2

DESIGNED BY	ARCH.ABDULLH ODAT	DATE	2023
PRODUCED BY	ARCH.ABDULLH ODAT	SCALE	1:100
CHECKED BY	ARCH.MAYSOON QASEM	REV.	
DRAWING NO.	A-08	PROJECT NO.	



الواجهة الامامية - الغربية



الواجهة الجانبيه - الجنوبية

NOTES:

حجر مطبوع ٤٥ سم	①
رشة شبريز	②
شيوبات حديد	③

REV. No	DATE	DESCRIPTION	CHECKED

CLIENT:  
AL-HASHEMIAH MUNICIPALITY

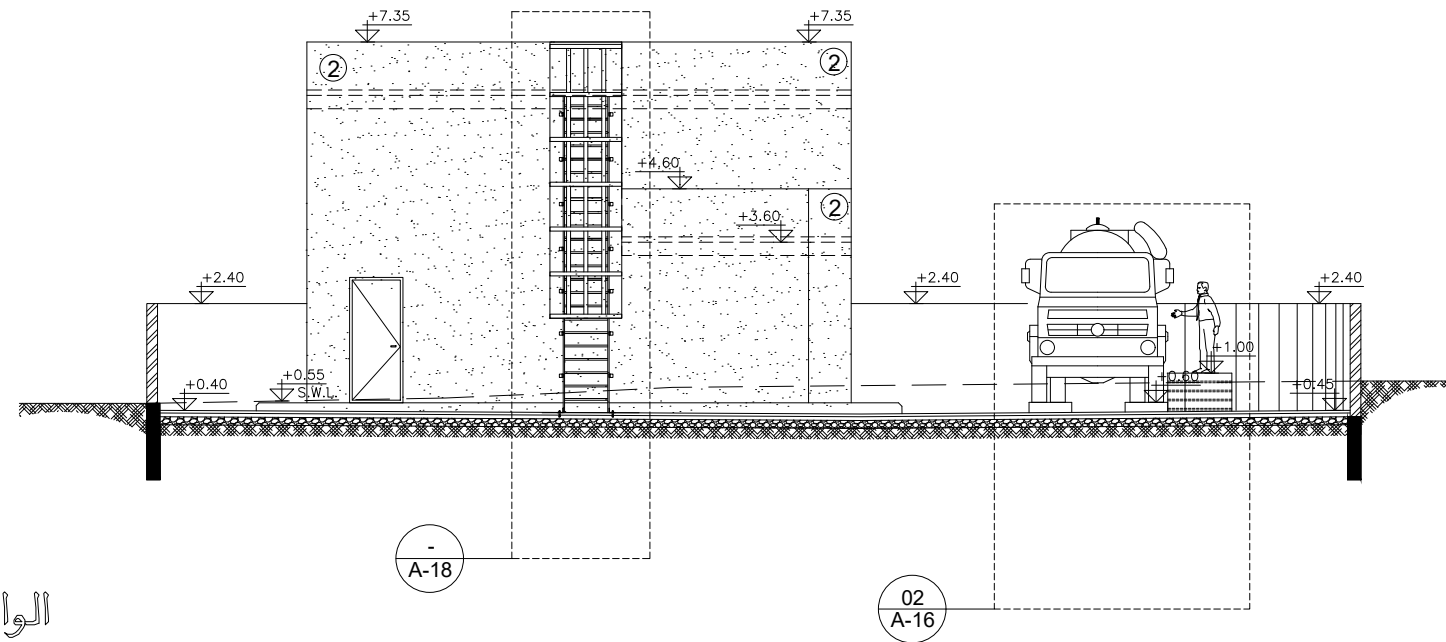
PROJECT NAME:  
CARS & TRUCKS  
WASH & MAINTENANCE STATION

CONSULTANT:  
AMTAR ENGINEERING CO.

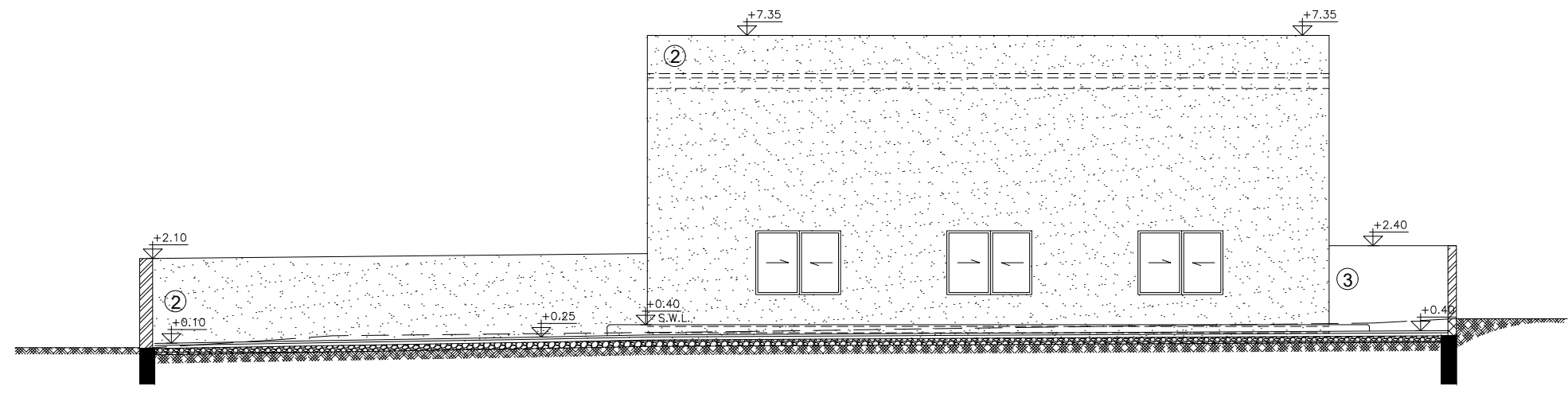


DRAWING TITLE :  
ELEVATIONS

DESIGNED BY	ARCH.ABDULLH ODAT	DATE	2023
PRODUCED BY	ARCH.ABDULLH ODAT	SCALE	1.100
CHECKED BY	ARCH.MAYSOON QASEM	REV.	
DRAWING NO.	A-09	PROJECT NO.	



الواجهة الخلفية - الشرقية



الواجهة الجانبيه - الشمالية

NOTES:

حجر مطبوع ٤٥ سم	①
رشة شبريز	②
تيوبات حديد	③

REV. No	DATE	DESCRIPTION	CHECKED

CLIENT:  
AL-HASHEMIAH MUNICIPALITY

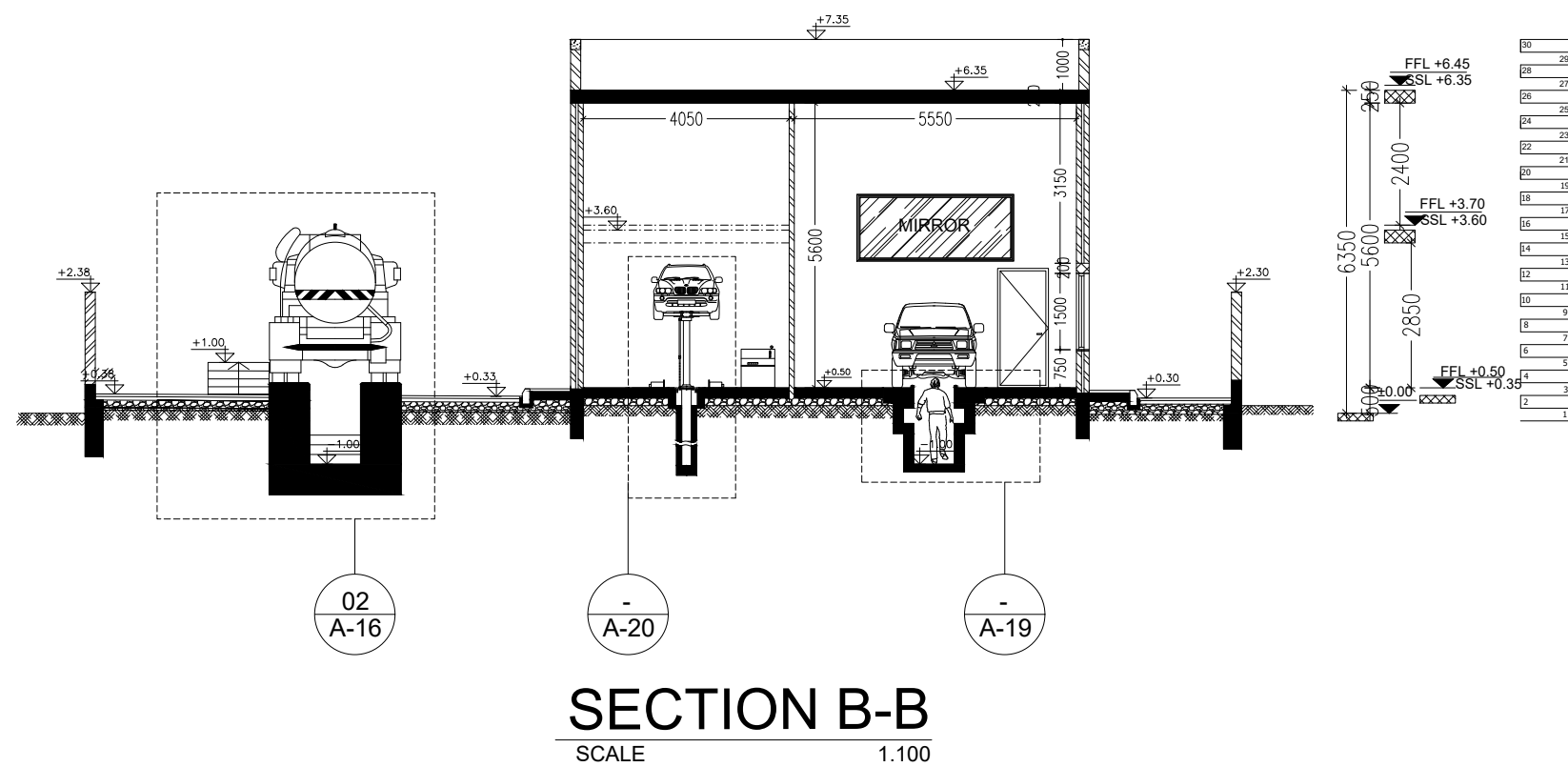
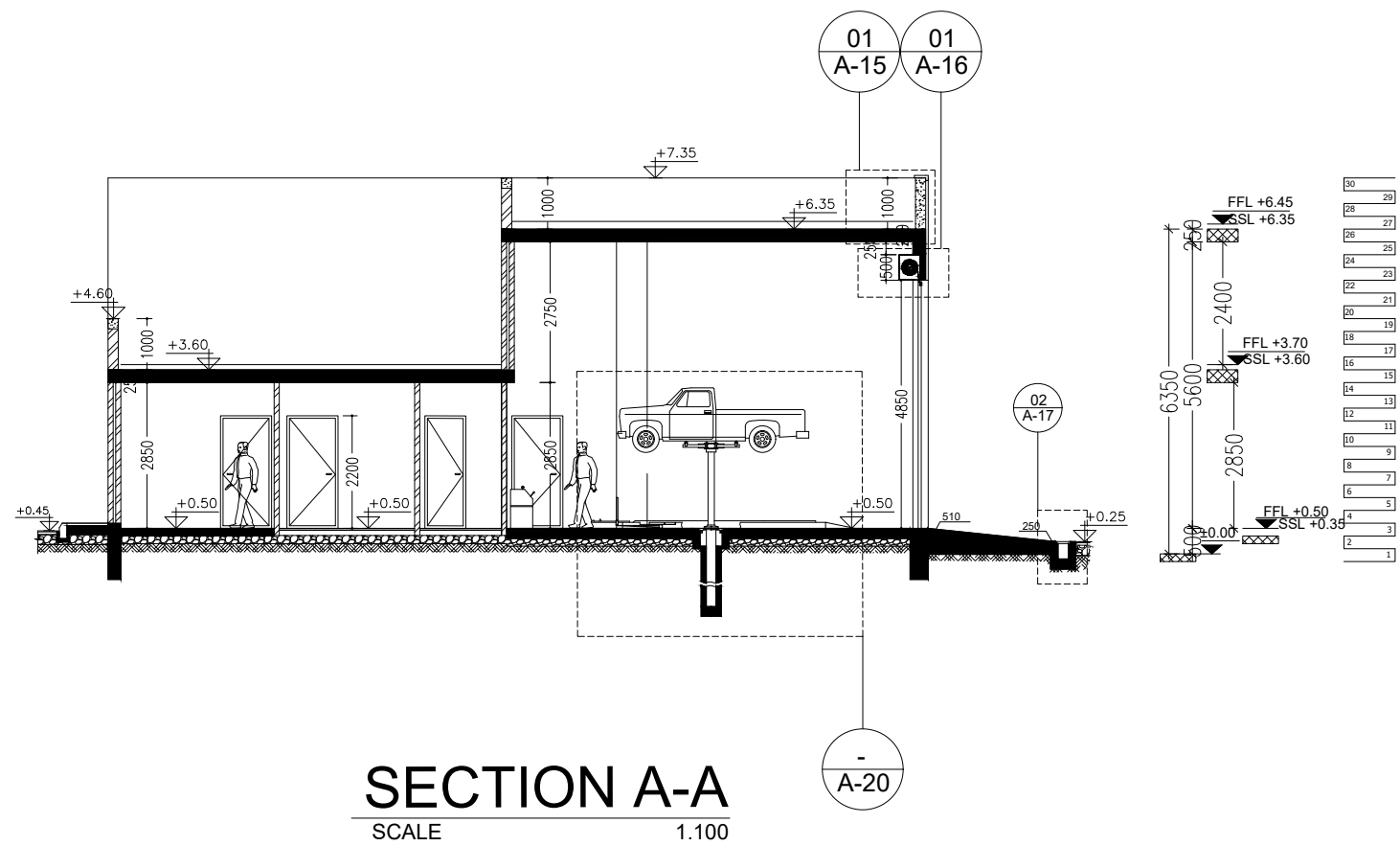
PROJECT NAME:  
CARS & TRUCKS  
WASH & MAINTENANCE STATION

CONSULTANT:  
AMTAR ENGINEERING CO.



DRAWING TITLE :  
ELEVATIONS

DESIGNED BY	ARCH.ABDULLH ODAT	DATE	2023
PRODUCED BY	ARCH.ABDULLH ODAT	SCALE	1.100
CHECKED BY	ARCH.MAYSOON QASEM	REV.	
DRAWING NO.	A-10	PROJECT NO.	



NOTES:

REV. No	DATE	DESCRIPTION	CHECKED

CLIENT:

AL-HASHEMIAH MUNICIPALITY

PROJECT NAME:

CARS & TRUCKS  
WASH & MAINTENANCE STATION

CONSULTANT:

AMTAR ENGINEERING CO.



DRAWING TITLE :

SECTIONS

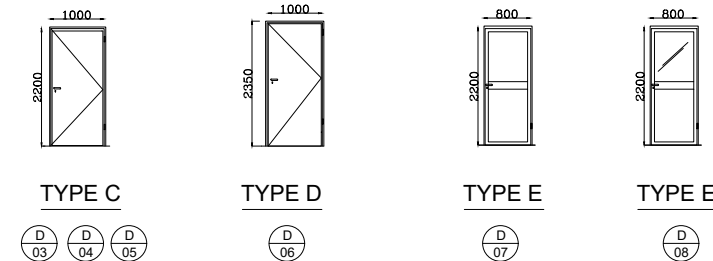
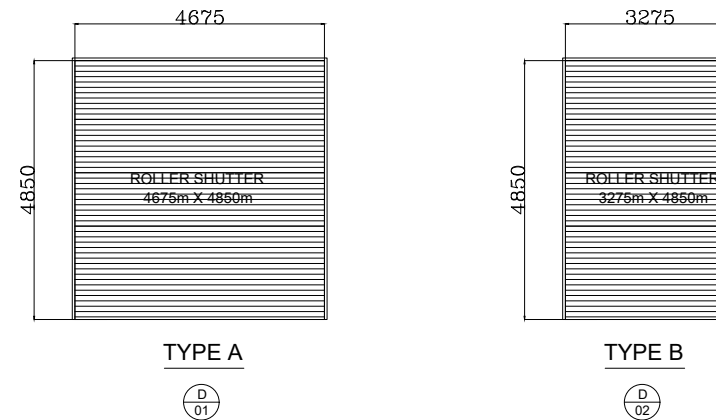
DESIGNED BY	ARCH.ABDULLH ODAT	DATE	2023
PRODUCED BY	ARCH.ABDULLH ODAT	SCALE	1.100
CHECKED BY	ARCH.MAYSOON QASEM	REV.	
DRAWING NO.	A-11	PROJECT NO.	

## SCHEDULE OF DOORS

LEVELS	DOOR NUM.	STRUCTURAL OPINING		DOOR TYPE	LOCATION	DESCRIPTION	HARDWARE SET	REMARKS	FIRE RATING
		WIDTH	HEIGHT						
GROUND FLOOR	01	4675	4850	A	TRUCK & CAR REPAIR ,OIL CHANGE & WHEEL DIFFUSER AREA	ELECTRICALLY OPERATED METAL ROLLER SHUTTER DOOR W/FACTORY APPLIED PAINT FINISH	HW-1	BY SPECIALIST SUPPLIER	2 hrs.
	02	3275	4850	B	WHEEL DIFFUSER & WASH RADIANT HYDRAULIC CAR WASHING LIFT AREA	ELECTRICALLY OPERATED METAL ROLLER SHUTTER DOOR W/FACTORY APPLIED PAINT FINISH	HW-1	BY SPECIALIST SUPPLIER	2 hrs.
	03	1000	2200	C	ELECTRICAL ROOM	HOLLOW METAL DOOR & FRAME w/PAINT FINISH	HW-2	_____	2 hrs.
	04	1000	2200	C	GUARD & CONTROL ROOM	HOLLOW METAL DOOR & FRAME w/PAINT FINISH	HW-2	_____	2 hrs.
	05	1000	2200	C	WHEEL DIFFUSER & WASH RADIANT HYDRAULIC CAR WASHING LIFT AREA	HOLLOW METAL DOOR & FRAME w/PAINT FINISH	HW-2	_____	2 hrs.
	06	1000	2350	D	TRUCK & CAR REPAIR ,OIL CHANGE & WHEEL DIFFUSER AREA	FIRE ESCAPING DOOR	HW-3	_____	2 hrs.
	07	800	2200	E	WC	POWDER COATED ALUMINUM DOOR & FRAME	HW-4	_____	1 1/2 hrs.
	08	800	2200	F	KITCHEN	POWDER COATED ALUMINUM DOOR & FRAME WITH GLASS VISION	HW-5	_____	1 1/2 hrs.

### DOOR HARDWARE SETS

<p>HW 1 - GUIDE RAIL HOOD COVEN HANDLES LOCK MOTOR REMOTE CONTROL</p> <p>HW 2 - 1(1/2) PAIRS S.S.HINGES MORTISE LOCK LEVER TYPE HANDLE OVERHEAD DOOR CLOSER. DOOR STOPPER</p> <p>HW 3 - 1(1/2) PAIRS S.S.HINGES MORTISE LOCK S.S LEVER TYPE HANDLE S.S PANEL DEVICE OVERHEAD DOOR CLOSER.</p>	<p>HW 4 - QUALITY POWDER COATED HINGES LOCK WITH IN/OUT HANDLE DOOR OPEN/CLOSE INDICATOR</p> <p>HW 5 - QUALITY POWDER W/GLASS VISION COATED HINGES LOCK WITH LEVER TYPE HANDLE OVERHEAD DOOR CLOSER.</p>
---------------------------------------------------------------------------------------------------------------------------------------------------------------------------------------------------------------------------------------------------------------------------------------------------------------------------------------------------	------------------------------------------------------------------------------------------------------------------------------------------------------------------------------------------------------------------------------



**NOTE :**

\* ALL HOLLOW METAL DOORS & FRAME TO BE BY SPECIALIST SUPPLIER & TO THEIR STANDARD SIZES,DETAILS & SPECIFICATIONS .

\* ALL HOLLOW METAL DOORS TO BE FLUSH TYPE, UNLESS OTHERWISE SPECIFIED .

\* ALL HOLLOW METAL DOORS & FRAME TO BE SUPPLIED THOROUGHLY CLEANED & WITH RUST INHIBITING EPOXY PRIMER ,PAINT FINISH TO BE APPLIED @ BUILDING SITE BY MAIN CONTRACTOR ,AFTER INSTALLATION .

NOTES:

REV. No	DATE	DESCRIPTION	CHECKED

CLIENT:  
**AL-HASHEMIAH MUNICIPALITY**

PROJECT NAME:  
**CARS & TRUCKS  
WASH & MAINTENANCE STATION**

CONSULTANT:  
**AMTAR ENGINEERING CO.**

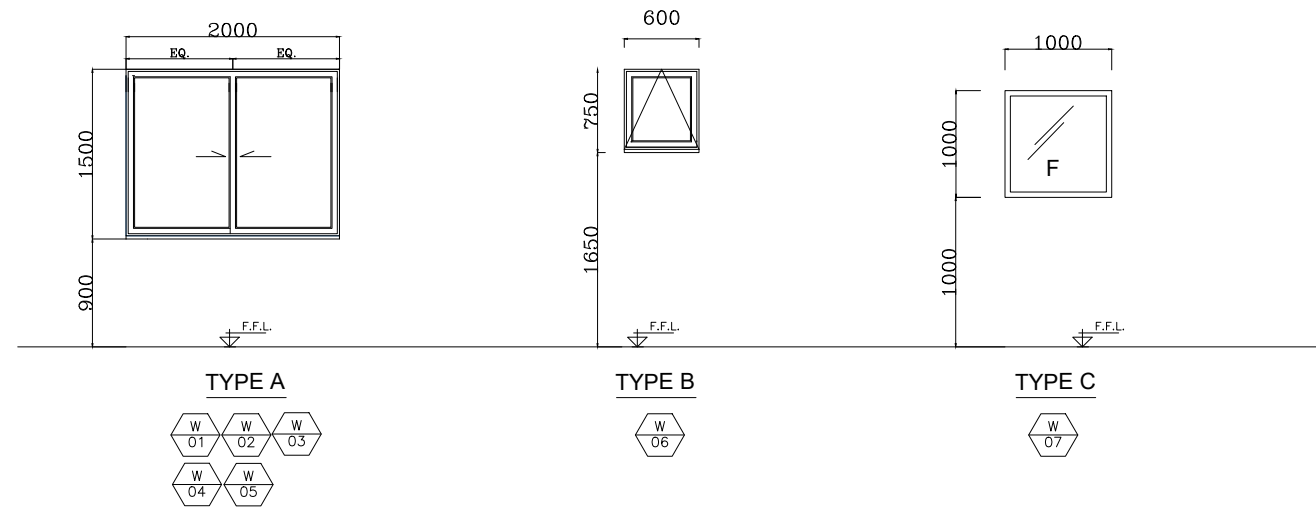


DRAWING TITLE :  
**SCHEDULE OF DOORS**

DESIGNED BY	ARCH.ABDULLH ODAT	DATE	2023
PRODUCED BY	ARCH.ABDULLH ODAT	SCALE	1.200
CHECKED BY	ARCH.MAYSOON QASEM	REV.	
DRAWING NO.	A-12	PROJECT NO.	

## SCHEDULE OF WINDOWS

LEVELS	DOOR NUM.	STRUCTURAL OPINING		DOOR TYPE	LOCATION	DESCRIPTION	REMARKS
		WIDTH	HEIGHT				
GROUND FLOOR	01	2000	1500	A	TRUCK & CAR REPAIR ,OIL CHANGE & WHEEL DIFFUSER AREA	POWDER COATED ALUMINUM DOUBLE GLAZED WINDOW WITH 2 SLIDING PANELS	_____
	02	2000	1500	A	TRUCK & CAR REPAIR ,OIL CHANGE & WHEEL DIFFUSER AREA	POWDER COATED ALUMINUM DOUBLE GLAZED WINDOW WITH 2 SLIDING PANELS	_____
	03	2000	1500	A	TRUCK & CAR REPAIR ,OIL CHANGE & WHEEL DIFFUSER AREA	POWDER COATED ALUMINUM DOUBLE GLAZED WINDOW WITH 2 SLIDING PANELS	_____
	04	2000	1500	A	GUARD & CONTROL ROOM	POWDER COATED ALUMINUM DOUBLE GLAZED WINDOW WITH 2 SLIDING PANELS	_____
	05	2000	1500	A	ELECTRICAL ROOM	POWDER COATED ALUMINUM DOUBLE GLAZED WINDOW WITH 2 SLIDING PANELS	_____
	06	600	750	B	WC	POWDER COATED ALUMINUM DOUBLE AWING WINDOW	_____
	07	1000	1000	C	GUARD & CONTROL ROOM	POWDER COATED ALUMINUM CLEAR GLAZED FIXED WINDOW	_____



NOTES:

REV. No	DATE	DESCRIPTION	CHECKED

CLIENT:

AL-HASHEMIAH MUNICIPALITY

PROJECT NAME:

CARS & TRUCKS  
WASH & MAINTENANCE STATION

CONSULTANT:

AMTAR ENGINEERING CO.



DRAWING TITLE :

SCHEDULE OF WINDOWS

DESIGNED BY	ARCH.ABDULLH ODAT	DATE	2023
PRODUCED BY	ARCH.ABDULLH ODAT	SCALE	1.200
CHECKED BY	ARCH.MAYSOON QASEM	REV.	
DRAWING NO.	A-13	PROJECT NO.	

## SCHEDULE OF FINISHES

LEVEL	ROOM NUM.	LOCATION	FLOOR			SKIRTING			WALL			CEILING			CEILING HEIGHT	
			POWER FLOAT FINISH WITH CEMENTITIOUS HARDNEH AT RATE OF 5K s/m2 - 200mm thick	PORCELAIN					CERAMIC	EMULSION PAINT FINISH TO PLASTERED CMU WALL			EMULSION PAINT FINISH TO PLASTERED CMU WALL	WATER PROOF EMULATION		
GROUND LEVEL	G-01	TRUCK & CAR REPAIR ,OIL CHANGE & WHEEL DIFFUSER	●							●			●			5600
	G-02	CAR WHEEL DIFFUSER & WASH RADIANT HYDRAULIC CAR WASHING LIFT	●							●			●			5600
	G-03	ELECTRICAL ROOM	●							●			●			2850
	G-04	GUARD AND CONTROL ROOM		●						●			●			2850
	G-05	KITCHEN		●					●				●			2850
	G-06	WC		●					●				●			2850

NOTES:

3			
2			
1			
REV. No	DATE	DESCRIPTION	CHECKED

CLIENT:  
AL-HASHEMIAH MUNICIPALITY

PROJECT NAME:  
CARS & TRUCKS WASH & MAINTENANCE STATION

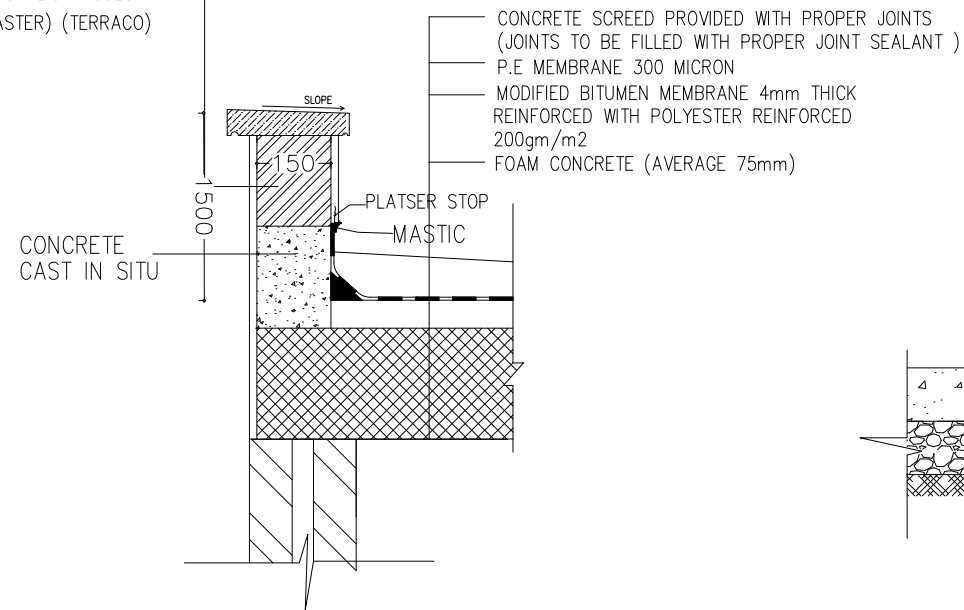
CONSULTANT:  
AMTAR ENGINEERING CO.



DRAWING TITLE :  
SCHEDULE OF FINISHES

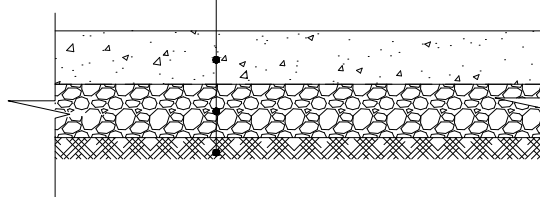
DESIGNED BY	ARCH.ABDULLH ODAT	DATE	2023
PRODUCED BY	ARCH.ABDULLH ODAT	SCALE	1.200
CHECKED BY	ARCH.MAYSOON QASEM	REV.	
DRAWING NO.	A-14	PROJECT NO.	

CEMENT PLASTER + PAINT  
200mm HOLLOW CEMENT BLOCK  
3 PLASTER RENDER (FULL THROUGH LIGHT COLOR  
- WATER PROOF PLASTER) (TERRACO)



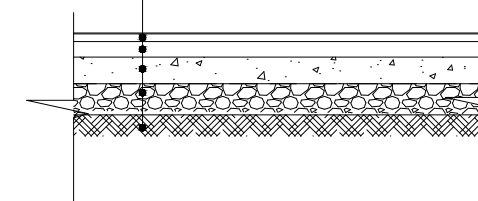
01 تفصيلة طاقى المقعدة مع التصوية / مقطع A-A  
SCALE 1/10

POWER FLOAT R.CONCRETE SLAB  
200mm thick WITH CEMENTITIOUS  
HARDENER AT RATE OF 5kg/m<sup>2</sup>  
POLYETHYLENE MEMBRANE (P.E)  
250 MICRON  
BASE COURSE 150mm THICK  
COMPACTED FILL



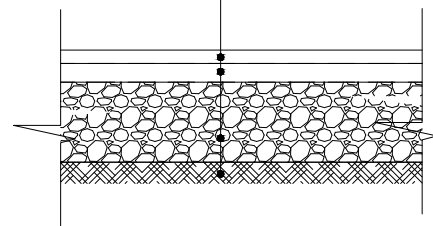
02 تفصيلة الارضية الخرسانية - الطابق الارضى  
SCALE 1/20

PORCELAIN (8mm thick)  
SAND CEMENT MORTAR  
SAND & GRAVEL MIX العدمية  
100mm R.CONCRETE  
POLYETHYLENE MEMBRANE (P.E)  
250 MICRON  
BASE COURSE 150mm THICK  
COMPACTED FILL



03 تفصيلة البورسلان - الطابق الارضى  
SCALE 1/10

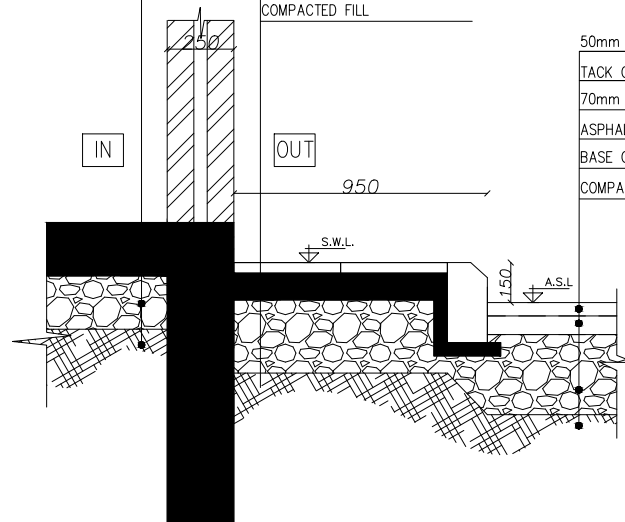
50mm ASPHALT WEARING COURSE  
TACK COAT (RC-2)  
70mm ASPHALT BASE COURSE  
ASPHALT PRIMER (MC-1)  
BASE COURSE 200mm THICK  
COMPACTED FILL



04 تفصيلة الارضيات الخارجية  
SCALE 1/20

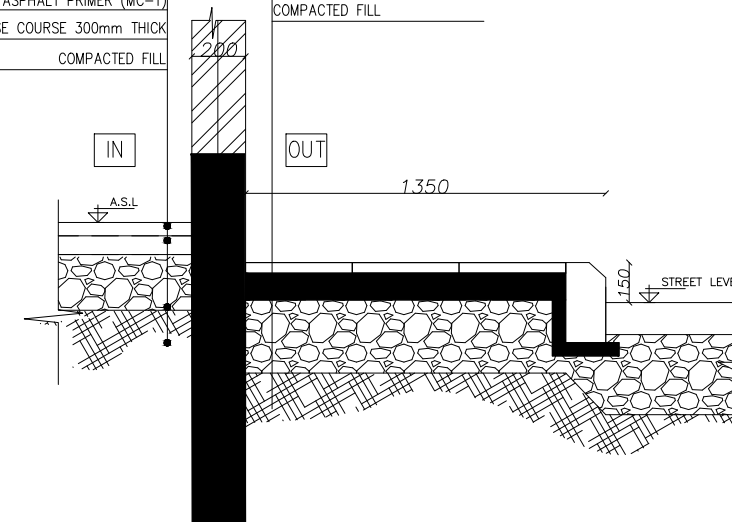
POWER FLOAT R.CONCRETE SLAB  
200mm thick WITH CEMENTITIOUS  
HARDENER AT RATE OF 5kg/m<sup>2</sup>  
POLYETHYLENE MEMBRANE (P.E)  
250 MICRON  
BASE COURSE 150mm THICK  
COMPACTED FILL

400\*400\*40mm CEMENT TILES  
R.C CONCRETE 100mm THICK  
POLYETHYLENE MEMBRANE (P.E)  
250 MICRON  
BASE COURSE 150mm THICK  
COMPACTED FILL



05 تفصيلة الرصيف حول المبنى  
SCALE 1/20

50mm ASPHALT WEARING COURSE  
TACK COAT (RC-2)  
70mm ASPHALT BASE COURSE  
ASPHALT PRIMER (MC-1)  
BASE COURSE 300mm THICK  
COMPACTED FILL



06 تفصيلة الرصيف الخارجى  
SCALE 1/20

NOTES:

REV. No	DATE	DESCRIPTION	CHECKED

CLIENT:  
AL-HASHEMIAH MUNICIPALITY

PROJECT NAME:  
CARS & TRUCKS  
WASH & MAINTENANCE STATION

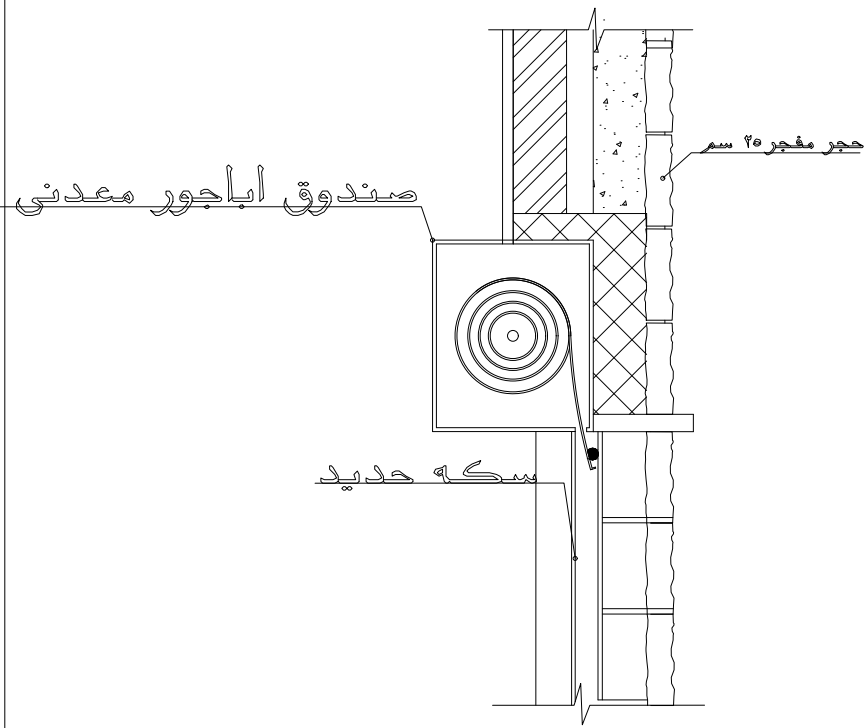
CONSULTANT:  
AMTAR ENGINEERING CO.



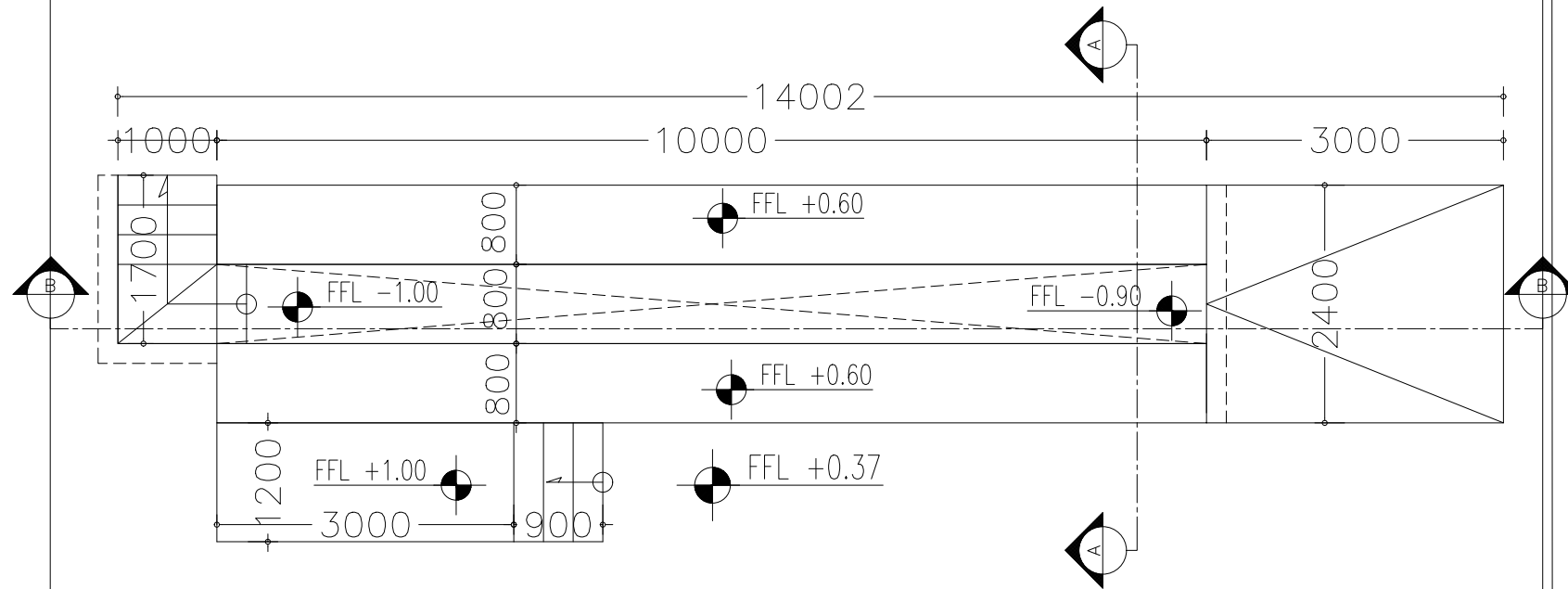
DRAWING TITLE :  
تفاصيل معمارية

DESIGNED BY	ARCH.ABDULLH ODAT	DATE	2023
PRODUCED BY	ARCH.ABDULLH ODAT	SCALE	
CHECKED BY	ARCH.MAYSOON QASEM	REV.	1:100
DRAWING NO.	A-15	PROJECT NO.	

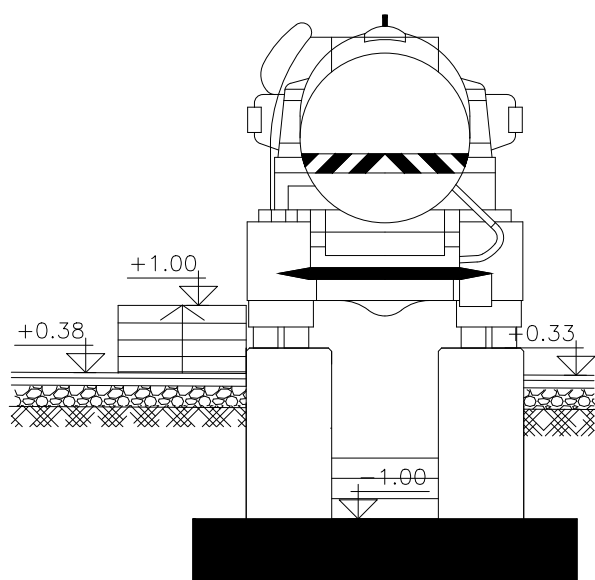




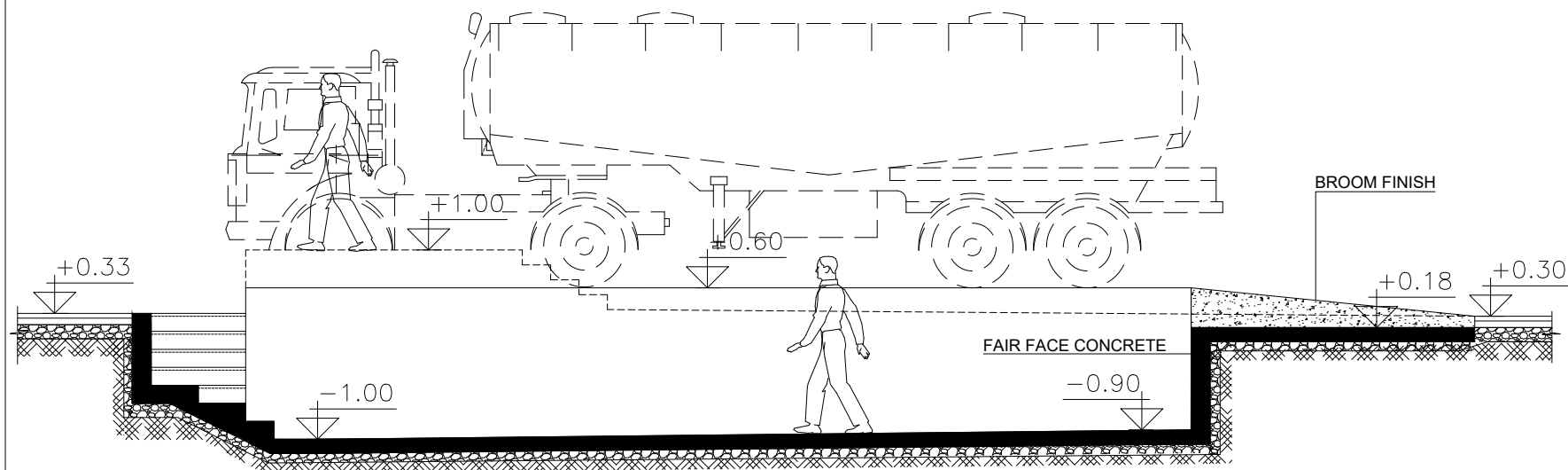
01 تفاصيل باب الحديد رول / مقطع A-A  
SCALE 1:10



02 TRUCK WASH PLAN  
SCALE 1:50



SECTION (A.A)  
SCALE 1:50



SECTION (B-B)  
SCALE 1:50

NOTES:

REV. No	DATE	DESCRIPTION	CHECKED

CLIENT:

AL-HASHEMIAH MUNICIPALITY

PROJECT NAME:

CARS & TRUCKS  
WASH & MAINTENANCE STATION

CONSULTANT:

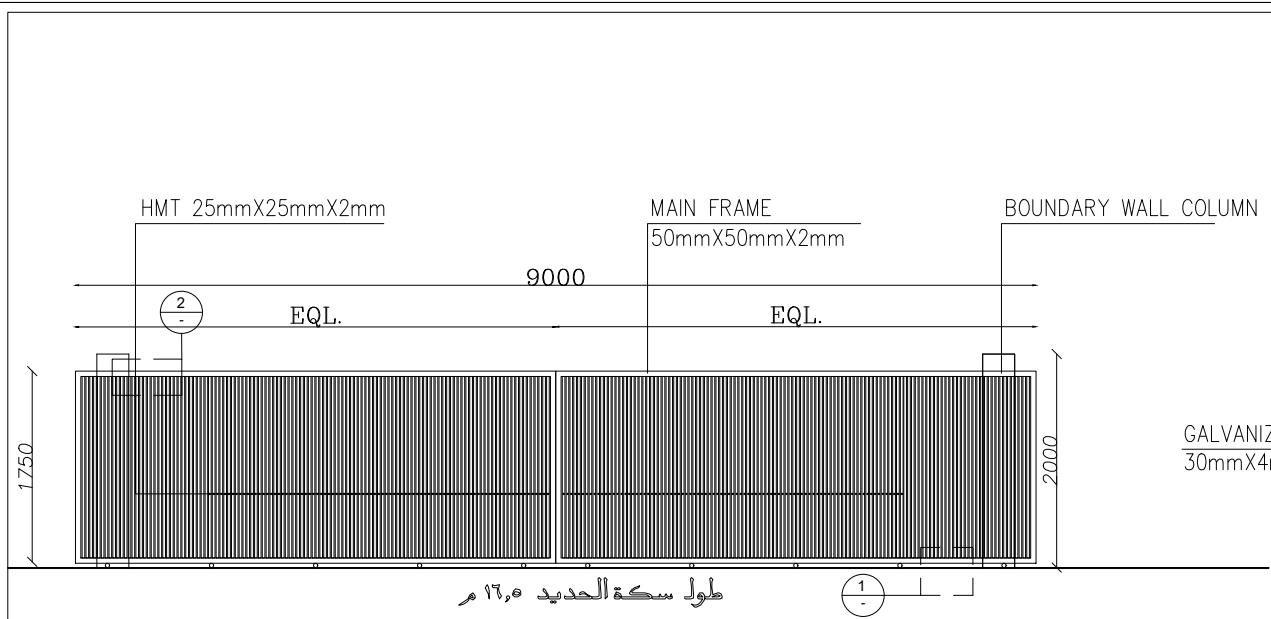
AMTAR ENGINEERING CO.



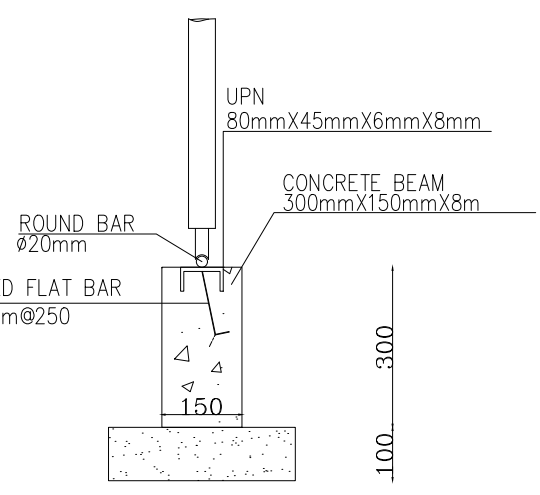
DRAWING TITLE :

تفاصيل معمارية

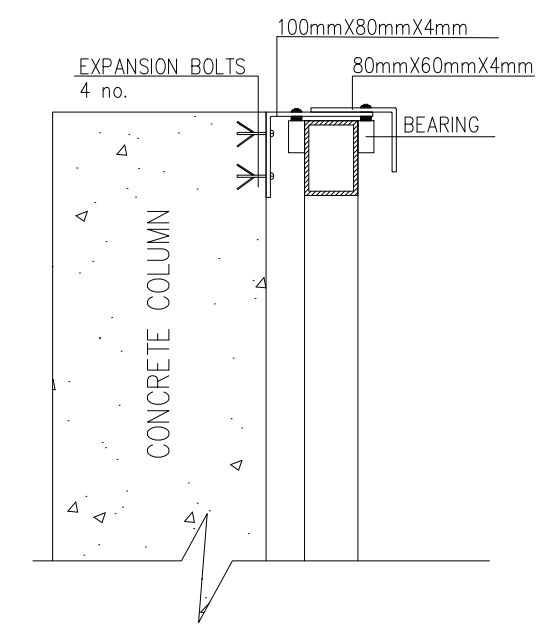
DESIGNED BY	ARCH.ABDULLH ODAT	DATE	2023
PRODUCED BY	ARCH.ABDULLH ODAT	SCALE	
CHECKED BY	ARCH.MAYSOON QASEM	REV.	1:100
DRAWING NO.	A-16	PROJECT NO.	



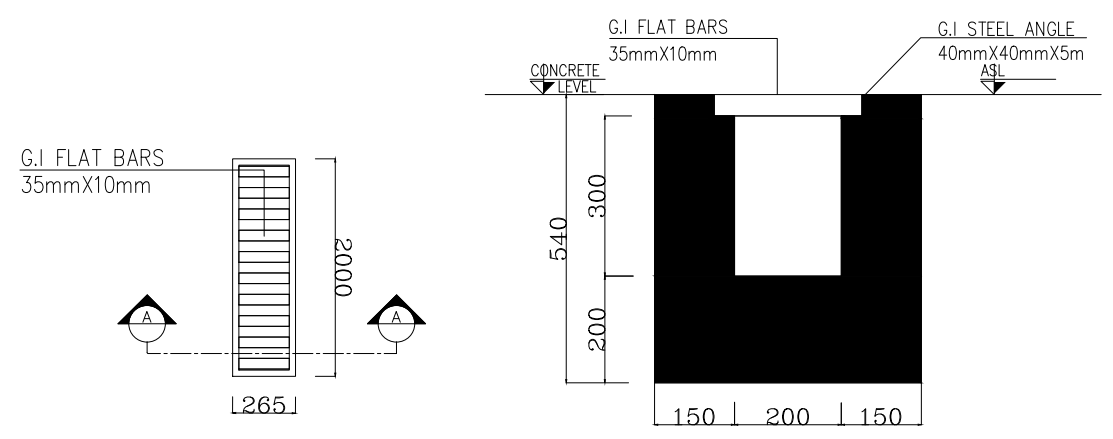
**01 DOUBLE SLIDING ENTRY GATE**  
SCALE 1.50



**DETAIL1 ROLLING WHEEL**

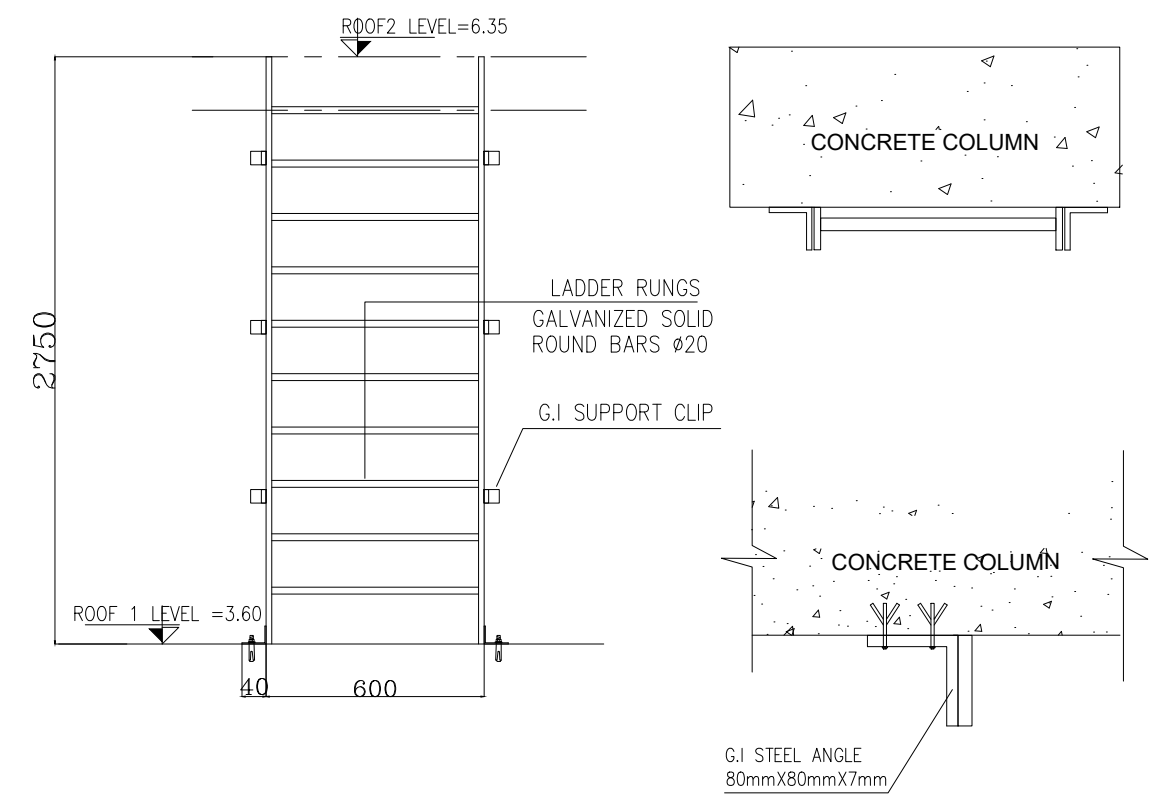


**DETAIL2**



**02 TRENCH PLAN**  
SCALE 1.50

**SECTION A-A DRAIN TRENCH**  
SCALE 1.10



**03 ACCESS LEADER**

**DETAIL FIXING OF LADDER TO THE CONCRETE COLUMN**

NOTES:

REV. No	DATE	DESCRIPTION	CHECKED
3			
2			
1			

CLIENT:  
**AL-HASHEMIAH MUNICIPALITY**

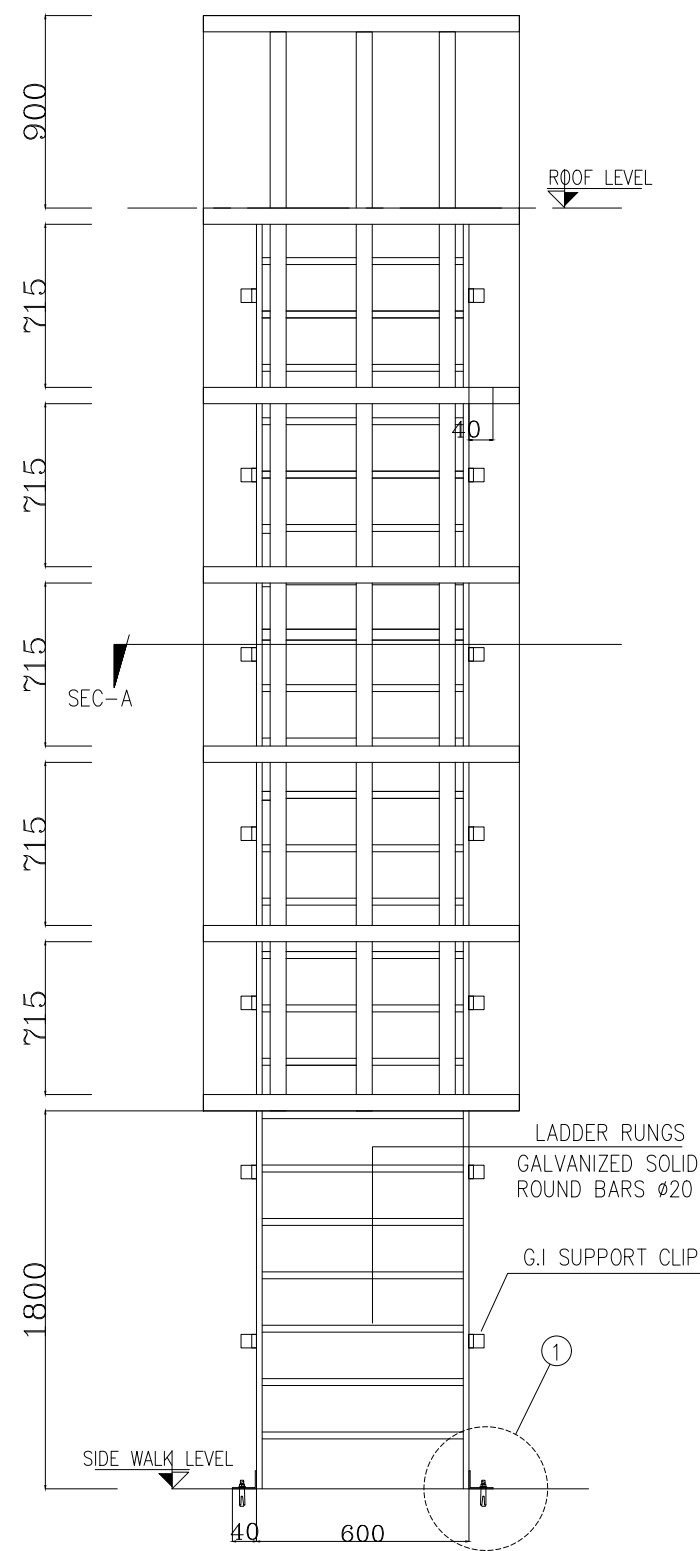
PROJECT NAME:  
**CARS & TRUCKS WASH & MAINTENANCE STATION**

CONSULTANT:  
**AMTAR ENGINEERING CO.**

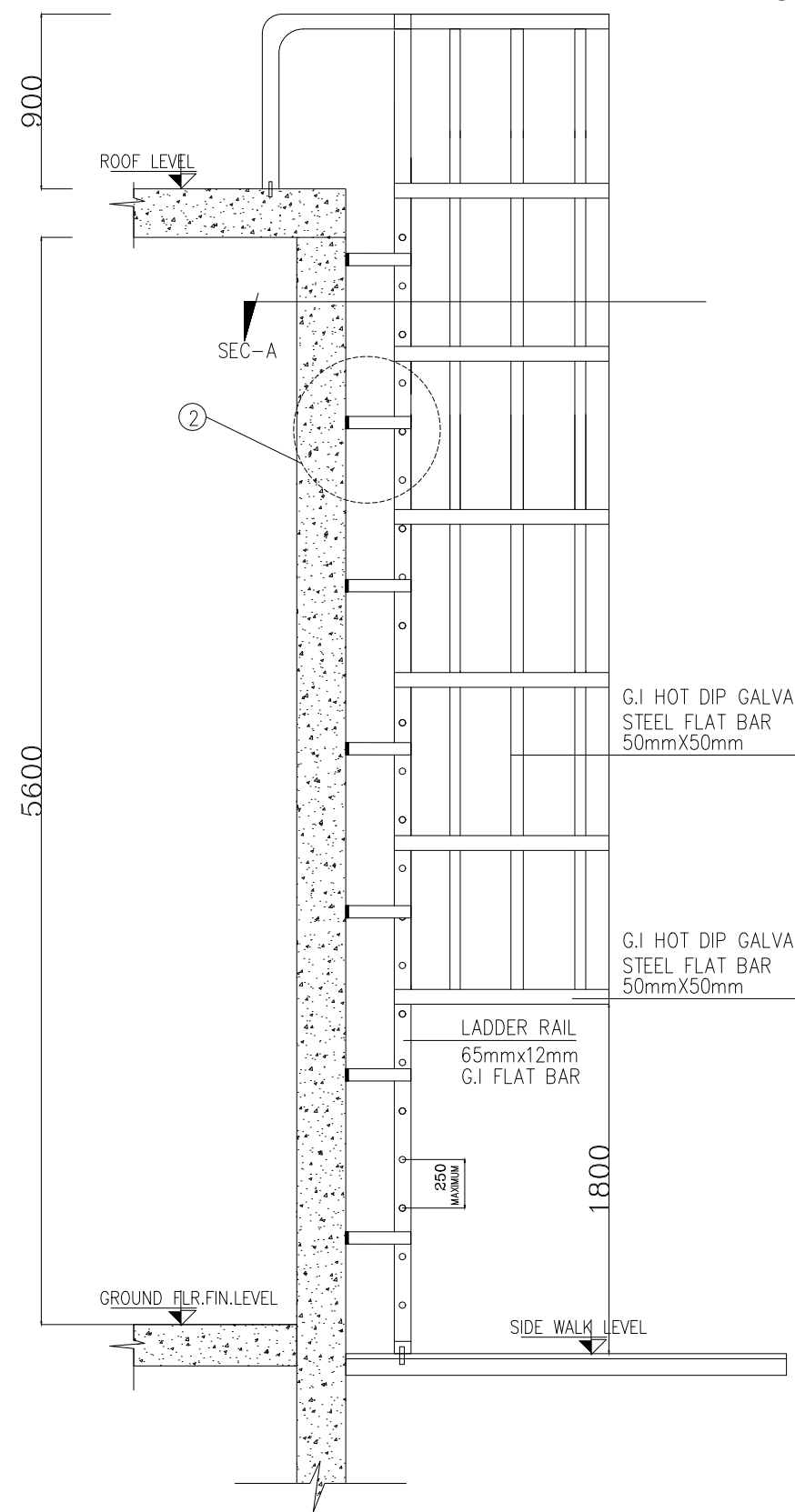


DRAWING TITLE :  
**تفاصيل معمارية**

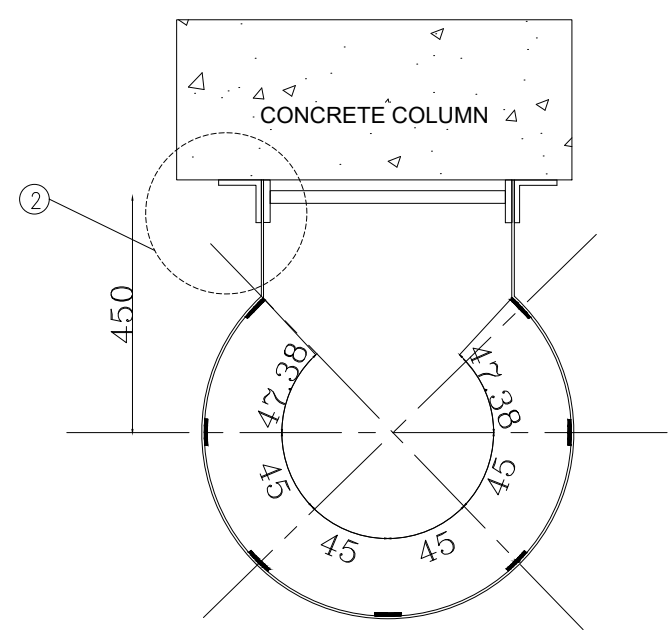
DESIGNED BY	ARCH.ABDULLH ODAT	DATE	2023
PRODUCED BY	ARCH.ABDULLH ODAT	SCALE	
CHECKED BY	ARCH.MAYSOON QASEM	REV.	N.T.S
DRAWING NO.	A-17	PROJECT NO.	



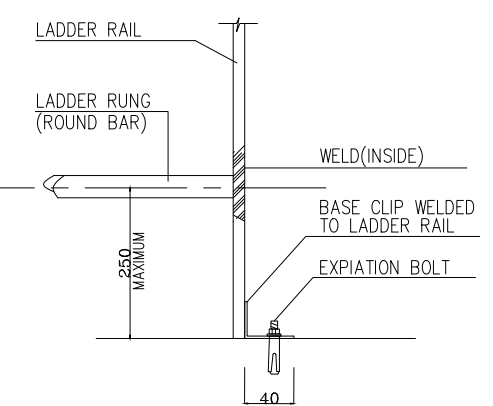
FRONT ELEVATION



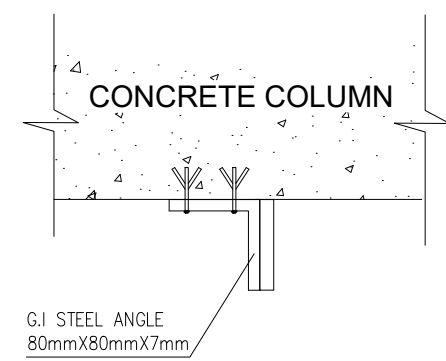
SIDE ELEVATION



SECTION A



DETAIL 1



DETAIL 2  
FIXING OF LADDER TO  
THE CONCRETE COLUMN

NOTES:

REV. No	DATE	DESCRIPTION	CHECKED

CLIENT:  
AL-HASHEMIAH MUNICIPALITY

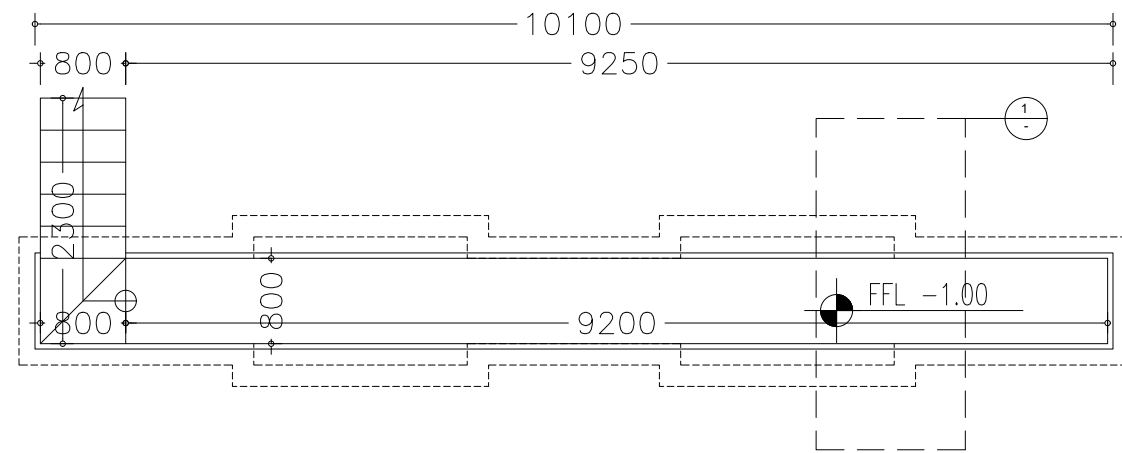
PROJECT NAME:  
CARS & TRUCKS  
WASH & MAINTENANCE STATION

CONSULTANT:  
AMTAR ENGINEERING CO.



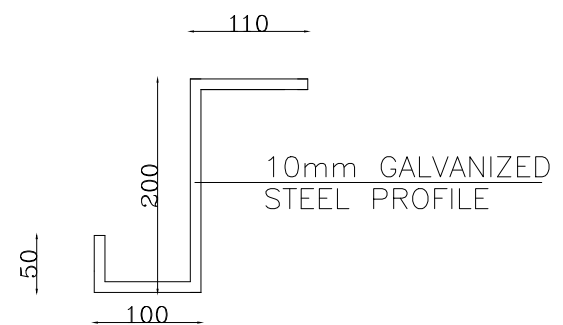
DRAWING TITLE :  
ACCESS LADDER

DESIGNED BY	ARCH.ABDULLH ODAT	DATE	2023
PRODUCED BY	ARCH.ABDULLH ODAT	SCALE	N.T.S
CHECKED BY	ARCH.MAYSOON QASEM	REV.	
DRAWING NO.	A-18	PROJECT NO.	

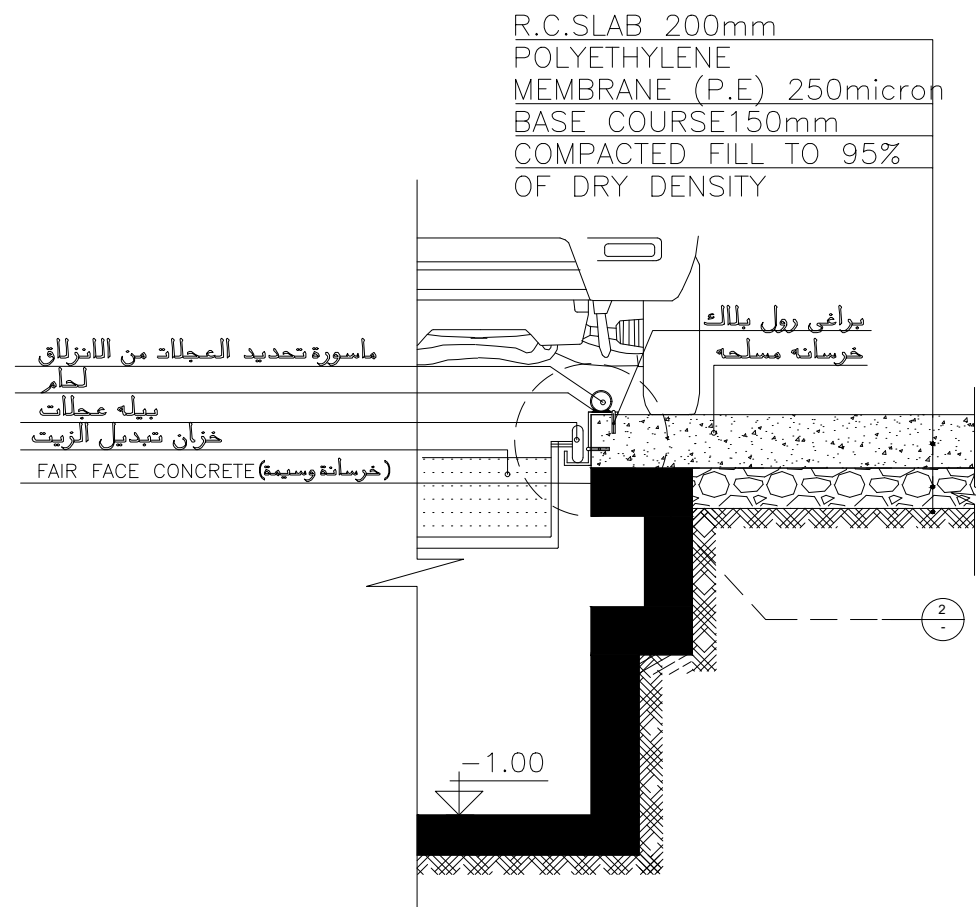


**TRUCK & CAR REPAIR ,OIL CHANGE & WHEEL DIFFUSER PLAN**

SCALE 1.50



**DETAIL2  
STEEL PROFILE**



**DETAIL1  
OIL CHANGE PIT**  
SCALE 1.20

NOTES:

REV. No	DATE	DESCRIPTION	CHECKED

CLIENT:  
AL-HASHEMIAH MUNICIPALITY

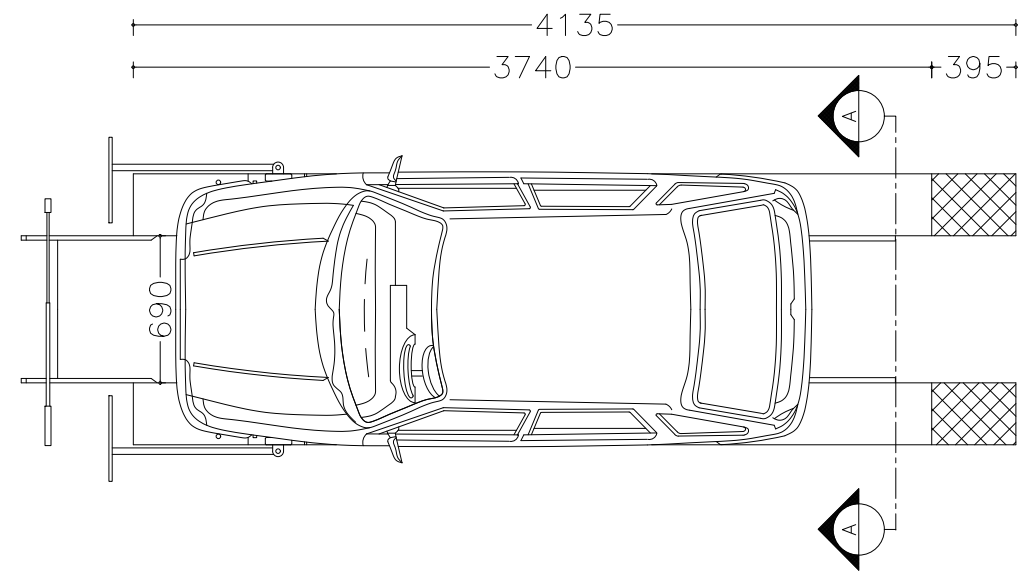
PROJECT NAME:  
CARS & TRUCKS  
WASH & MAINTENANCE STATION

CONSULTANT:  
AMTAR ENGINEERING CO.



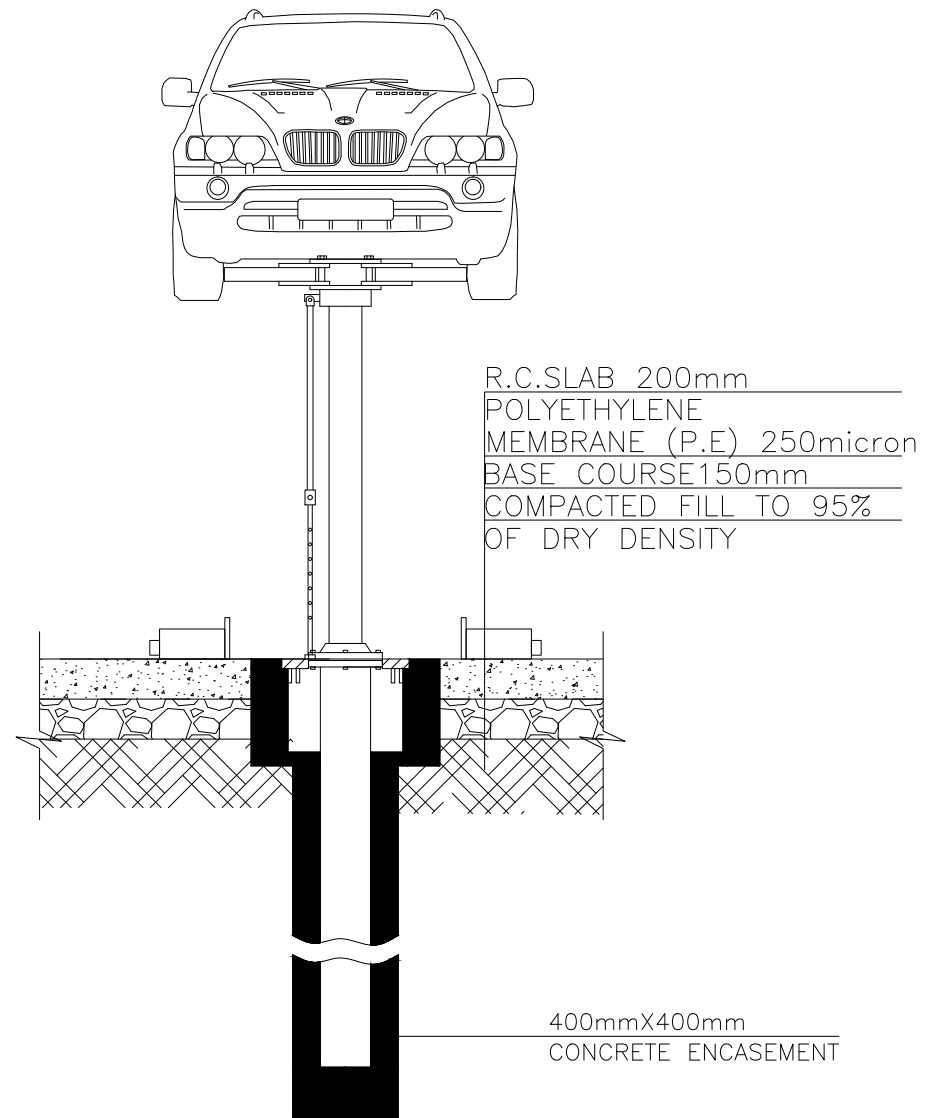
DRAWING TITLE :  
**DETAILS**

DESIGNED BY	ARCH.ABDULLH ODAT	DATE	2023
PRODUCED BY	ARCH.ABDULLH ODAT	SCALE	N.T.S
CHECKED BY	ARCH.MAYSOON QASEM	REV.	
DRAWING NO.	A-19	PROJECT NO.	



**CAR WHEEL DIFFUSER & WASH  
RADIANT HYDRAULIC CAR WASHING LIFT PLAN**  
SCALE 1.25

+290+ — 690 — +290+  
1270



**SECTION A.A**  
SCALE 1.25

NOTES:

REV. No	DATE	DESCRIPTION	CHECKED

CLIENT:  
AL-HASHEMIAH MUNICIPALITY

PROJECT NAME:  
CARS & TRUCKS  
WASH & MAINTENANCE STATION

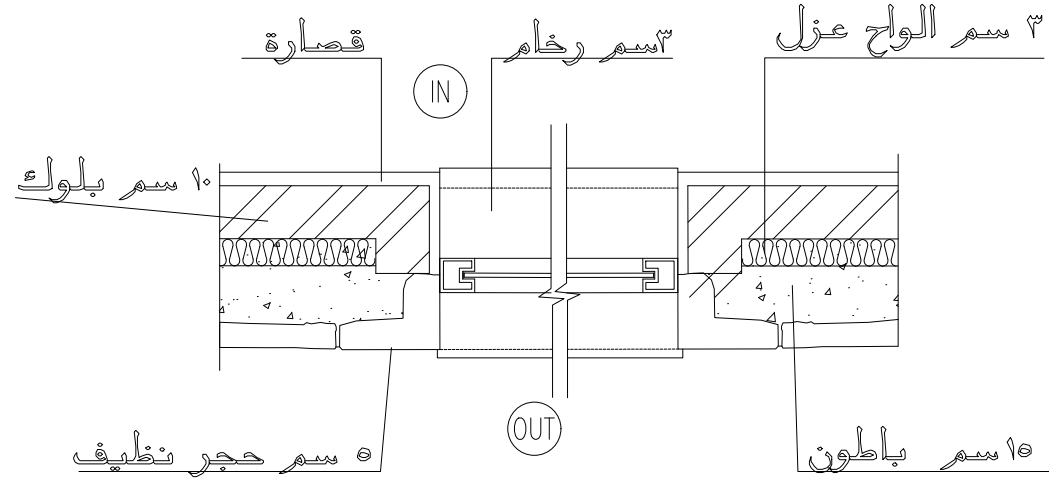
CONSULTANT:  
AMTAR ENGINEERING CO.



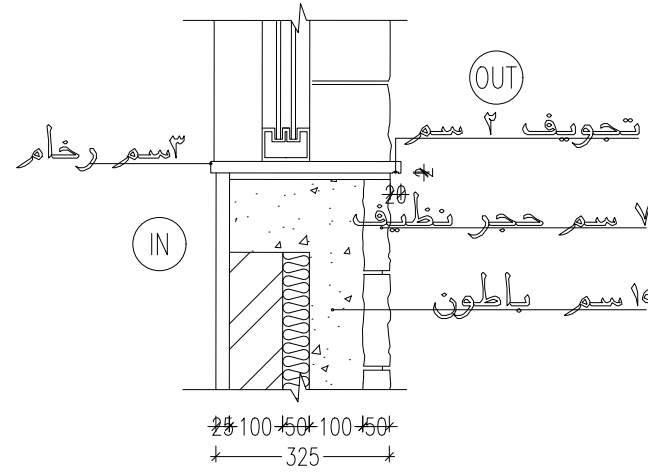
DRAWING TITLE :  
**DETAILS**

DESIGNED BY	ARCH.ABDULLH ODAT	DATE	2023
PRODUCED BY	ARCH.ABDULLH ODAT	SCALE	N.T.S
CHECKED BY	ARCH.MAYSOON QASEM	REV.	
DRAWING NO.	A-20	PROJECT NO.	

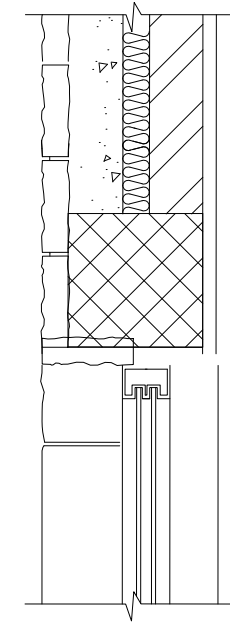
# WINDOWS TYPICAL DETAILS



مخطط للشباك  
SCALE 1:10



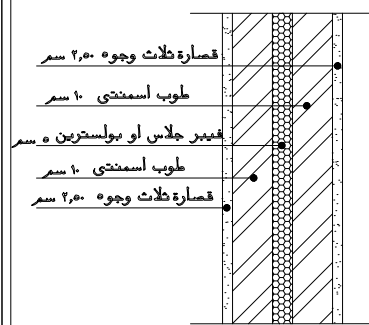
مقطع بقاعدة الشباك  
SCALE 1:10



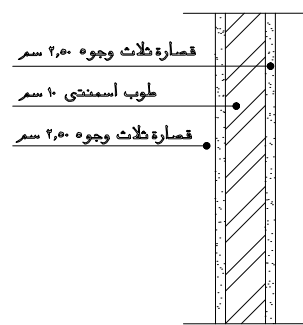
TYPICAL WINDOW JAMB AT WALL  
SCALE 1:10

NOTES:

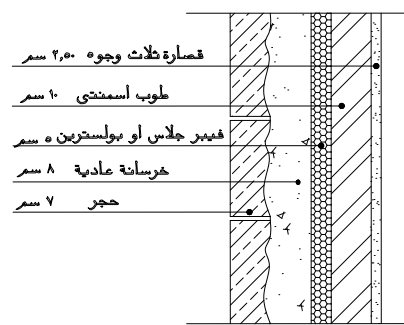
# WALLS TYPICAL DETAIL



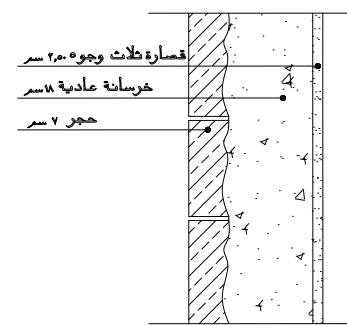
فصلية جدار طوب خارجي مزدوج  
SCALE 1/10



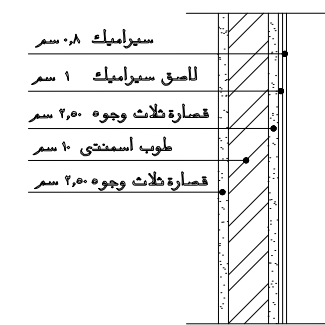
فصلية جدار طوب داخلي  
SCALE 1/10



فصلية جدار حجر ممزج  
SCALE 1/10



فصلية جدار حجر  
SCALE 1/10



فصلية جدار سيراميك  
SCALE 1/10

REV. No	DATE	DESCRIPTION	CHECKED
3			
2			
1			

CLIENT:

AL-HASHEMIAH MUNICIPALITY

PROJECT NAME:

CARS & TRUCKS  
WASH & MAINTENANCE STATION

CONSULTANT:

AMTAR ENGINEERING CO.



DRAWING TITLE :

DETAILS

DESIGNED BY	ARCH.ABDULLH ODAT	DATE	2023
PRODUCED BY	ARCH.ABDULLH ODAT	SCALE	N.T.S
CHECKED BY	ARCH.MAYSOON QASEM	REV.	
DRAWING NO.	A-21	PROJECT NO.	